

PARTS LIST

[ MX-G70 ]

\* All printed circuit boards and its assemblies are not available as service parts.

<b>CA-MXG70 / SP-MXG70</b>	
Area suffix	
A -----	Australia
UP -----	Korea
US -----	Singapore
UW -----	Brazil, Mexico, Peru
UY -----	Argentina

- Contents -

Exploded view of general assembly and parts list .....	3- 3
CD changer mechanism assembly and parts list .....	3- 6
CD mechanism assembly and parts list .....	3- 8
Cassette mechanism assembly and parts list .....	3- 9
Electrical parts list .....	3-13
Packing materials and accessories parts list .....	3-30

**< MEMO >**



■ Parts list (General assembly)

Block No. M1MM

△	Item	Parts number	Parts name	Q'ty	Description	Area
	1	GV10057-001A	FRONT PANEL	1		UP,UY
		GV10057-002A	FRONT PANEL	1		US,UW
		GV10057-003A	FRONT PANEL	1		A
	2	E75896-001	FELT SPACER	2		
	3	GV40077-002A	JVC BADGE	1		
	4	GV40136-001A	STBY.INDICATOR	1		
	5	GV30154-001A	CD BUTTON	1		
	6	GV20104-002A	CD EJECT BUTTON	1		
	7	GV30137-001A	POWER BUTTON	1		UP,US,UW,UY
		GV30137-002A	POWER BUTTON	1		A
	8	GV30177-004A	CONTROL BUTTON	1		
	9	GV30139-001A	REMOTE LENS	1		
	10	QYSDSF2608Z	SCREW	12		A,UP,UY
		QYSDSF2608Z	SCREW	13		US,UW
	11	QYSDSF2608Z	SCREW	3	ON CD BRD.	
	12	QYSDSF2608Z	SCREW	7	ON MICOM BRD.	
	13	QYSDSF2608Z	SCREW	5	ON SOURCE BRD.	
	14	GV30129-001A	STAY BRACKET	1		
	15	GV10060-007A	ORNAMENT	1		A,UP,UY
		GV10060-008A	ORNAMENT	1		US,UW
	16	QYSDSF2608Z	SCREW	5	STY.BRKT.+F.PNL	
	17	E310243-002	PLASTIC RIVET	1	M.BRD.+ STY BRK	
	18	GV20103-001A	SUB. PANEL	1		
	19	GV30138-001A	FRONT BUTTON	1		
	20	GV40185-002A	COVER SHEET	1		
	21	GV30211-004A	C.HOLD.ASSY(L)	1		
	22	GV30212-004A	C.HOLD.ASSY(R)	1		
	23	GV20099-002A	EJECT BUTTON(A)	1		
	24	GV20100-002A	EJECT BUTTON(B)	1		
	25	FMKW4009-002	HOLDER SPRING(A)	1		
	26	FMKW4010-002	HOLDER SPRING(B)	1		
	27	FMKW4011-001	SPRING	1	FOR EJECT LEVER	
	28	FMKS3002-003	EJECT LEVER(A)	1		
	29	FMKS3003-003	EJECT LEVER(B)	1		
	30	GV40034-001A	DAMPER ASSY	2		
	31	VKY4180-401	CASSETTE SPRING	4		
	32	-----	CASSETTE MECHA	1		
	33	FMKL4012-004	EJECT SAFETY(A)	1		
	34	FMKL4013-001	EJECT SAFETY(B)	1		
	35	FMKW4007-001	SPRING(A)	1	EJECT SAFETY(A)	
	36	FMKW4008-001	SPRING(B)	1	EJECT SAFETY(B)	
	37	GV20094-001A	HOLDER SPRING	1		
	38	QYSBSG3010Z	T.SCREW	2	F.P.TO H.BRKT.	
	39	QYSBSG3010Z	T.SCREW	2	F.P.TO CHS.BASE	
	40	QYSBSG3010Z	T.SCREW	3	MECHA & H.BRKT.	
	41	QYSBSF3012Z	SCREW	4	MECHA & F.PANEL	
	42	GV30124-001A	TRANS SHIELD	1		
	43	E3400-431	SPACER	1	STICK AT SLC MO	

■ Parts list (General assembly)

Block No. M1MM

△	Item	Parts number	Parts name	Q'ty	Description	Area
	44	-----	CD CHANGER MECHA	1		
	45	-----	CD MECHA	1		
	46	LV40761-003A	INSULATOR	2		
	47	LV40761-003A	INSULATOR	2		
	48	VKS3703-00L	CLAMPER ASSY	1		
	49	QYSPST2606Z	SCREW	1		
	50	VKW5187-001	ROD	1		
	51	QUQ610-1509AJ	FFC WIRE	1		
	52	VDM1001-M002AV	WIRE & TUBE	1		
	53	QYSBSF2608Z	T.SCREW	4		
	54	VYSA1R2-033	SPACER	1	FOR VDM1001-M00	
	55	E309662-001SM	DISC STOPPER	1		
	56	QYSBSF3008Z	SCREW	1	FOR DISC STOPPE	
	58	GV40189-001A	FAN BRACKET	1		
	59	QYSBSF3010Z	SCREW	2	FAN BRKT/CD MEC	
	60	QYSBSG3035Z	T.SCREW	2	FAN TO FAN BRAC	
	61	E310243-002	PLASTIC RIVET	1	TUNER BRD.+ FMC	
	62	GV10061-001A	CHASSIS BASE	1		
	63	E75896-006	FELT SPACER	2	CHASS BASE FOOT	
	64	GV30191-002A	HEAT SINK	1		
	66	QYSBSG3014E	T.SCREW	4	FOR POWER IC	
	67	GV40143-001A	LEAF SPRING	1		
	68	QYSBSG3014E	T.SCREW	2	FOR LEAF SPRING	
	69	QYSDSTL4008Z	SPECIAL SCREW	4	FOR TRANS/CH.BS	
	70	QYSBSGG3008E	T.SCREW	2	FMH BRD./CH.BS	
	71	QYSBSGG3008E	T.SCREW	1	FMC BRD./CH.BS	
	72	QZW0033-001	CORD STOPPER	1		
△	73	QMF51E2-2R0-J1	FUSE	1	F001	UP,UY
△		QMF51W2-2R0-J8	FUSE	1	F001	A
△		QMF51E2-4R0-J1	FUSE	1	F001	US,UW
△	74	QMF51E2-4R0-J1	FUSE	1	F101	UP,US,UW,UY
△		QMF51W2-3R15-J8	FUSE	1	F101	A
△	75	QMF51W2-3R15-J8	FUSE	1	F102	A
△		QMF51E2-4R0-J1	FUSE	1	F102	UP,US,UW,UY
	76	VKZ4001-110S	WIRE HOLDER	1		
△	77	QQT0319-002	POWER TRANSF.	1	T001	A
△		QQT0319-003	POWER TRANSF.	1	T001	UP,US,UW,UY
	78	QUQ110-1908BJ	FFC WIRE	1	FMC TO VC3	
	79	QUQ412-0911DJ	FFC WIRE	1	FMC TO TUNER	
	80	QUQ412-1710CJ	FFC WIRE	1	FMB TO FMC(1)	
	81	QUQ412-1710CJ	FFC WIRE	1	FMB TO FMC(2)	
	82	QUQ412-1020CJ	FFC WIRE	1	FMC TO SLC	
	83	QUQ412-0915CJ	FFC WIRE	1	FMB TO SLC	
	84	QUQ412-2410CJ	FFC WIRE	1		US,UW
		QUQ412-2210CJ	FFC WIRE	1		A,UP,UY
△	85	QMPK210-205-JN	POWER CORD	1		US,UW
△		QMPR300-200-JC	POWER CORD	1		UY
△		QMPG080-244-JD	POWER CORD	1		A

**Parts list (General assembly)**

Block No. M1MM

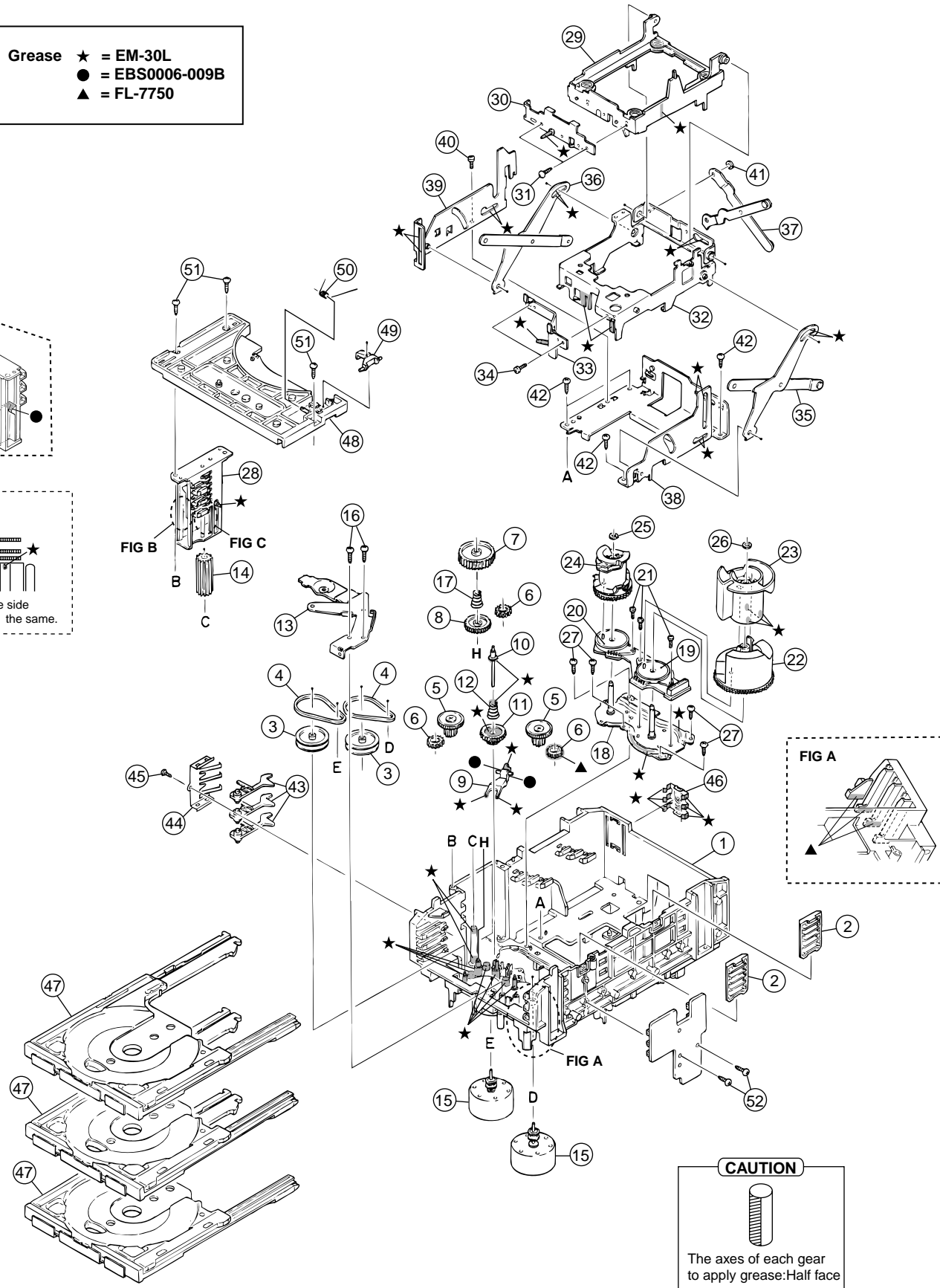
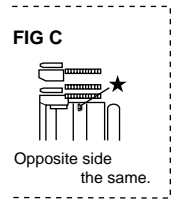
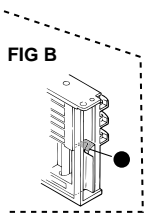
△	Item	Parts number	Parts name	Q'ty	Description	Area
△	85	QMPR310-200-JC	POWER CORD	1		UP
	86	GV10062-002A	REAR PANEL	1		US,UW
		GV10062-003A	REAR PANEL	1		UP
		GV10062-004A	REAR PANEL	1		UY
		GV10062-005A	REAR PANEL	1		A
	87	GV10063-002A	REAR COVER	1		
	88	QYSBSG3010Z	T.SCREW	2	C3 & STAY BRKT	
	89	QAR0177-001	FAN	1	SUPPLIER NIDEC	
	90	QYSBSGY3008E	SPECIAL SCREW	1	REAR PNL/CHAS.B	
	91	QYSBSGY3008E	SPECIAL SCREW	4	REAR PNL/ H.SIN	
	92	QYSBSGY3008E	SPECIAL SCREW	1	REAR PNL/ AUX	
	93	QYSBSGY3008E	SPECIAL SCREW	2	C3/ REAR PANEL	
	94	QYSBSGY3008E	SPECIAL SCREW	2	SPK/ REAR PANEL	
	95	QYSBSGY3008E	SPECIAL SCREW	2	TUNER/REAR PANE	
	96	QYSBSGY3008E	SPECIAL SCREW	1	REAR CVR/R.PNL	
	97	QYSBSGY3008E	SPECIAL SCREW	1	OPTICAL/R.PANEL	
	98	GV10055-001A/S/	METAL COVER	1		
	99	QYSDSG3006M	T.SCREW	2	M.COVER/CHAS.BS	
	100	QYSBSGY3008E	SPECIAL SCREW	6	M.COVER/R.PANEL	
	101	GV20106-005A	CD FITTING(1)	1	DISC 1	
	102	GV20107-005A	CD FITTING(2)	1	DISC 2	
	103	GV20108-005A	CD FITTING(3)	1	DISC 3	
	104	GV30179-001A	VOLUME KNOB ASS	1		
	105	GV30180-001A	SUB.WFR.KNOB AS	1		
	106	GV30181-001A	SND.MODE KNOB A	1		
	107	GV30182-001A	CD.FWD.KNOB ASS	1		
	108	GV20098-001A	WINDOW SCREEN	1		
	109	GV40181-001A	MIRROR SHEET	1		
	110	GV30155-002A	VOLUME RING	1		
	111	GV30151-002A	SUB.WOOFER RING	1		
	112	GV30152-002A	SOUND MODE RING	1		
	113	GV30153-002A	CD FORWARD RING	1		
	114	GV40186-001A	NUT	1		
	115	GV30141-001A	DISPLAY HOLDER	1		
	116	E3400-439	FELT SPACER	2		
	117	QYSBSGY3008E	SPECIAL SCREW	1	REAR PNL/ERT PL	
	118	VKZ4001-110S	WIRE HOLDER	1		US,UW
△	119	QMF51E2-2R0-J1	FUSE	1	F003	US,UW
	120	GV40236-001A	PLASTIC HOLDER	1		UP,US,UW,UY
	121	QYSBSF3012E	SPECIAL SCREW	2	VOL.SEL/R.PANEL	US,UW
	122	GV40083-002A	MIC KNOB	1		US,UW

# CD changer mechanism assembly and parts list

C3BASE-1M

Block No. M 2 M M

Grease ★ = EM-30L  
 ● = EBS0006-009B  
 ▲ = FL-7750



**CAUTION**

The axes of each gear to apply grease: Half face

**Parts list (CD changer mechanism)**

Block No. M2MM

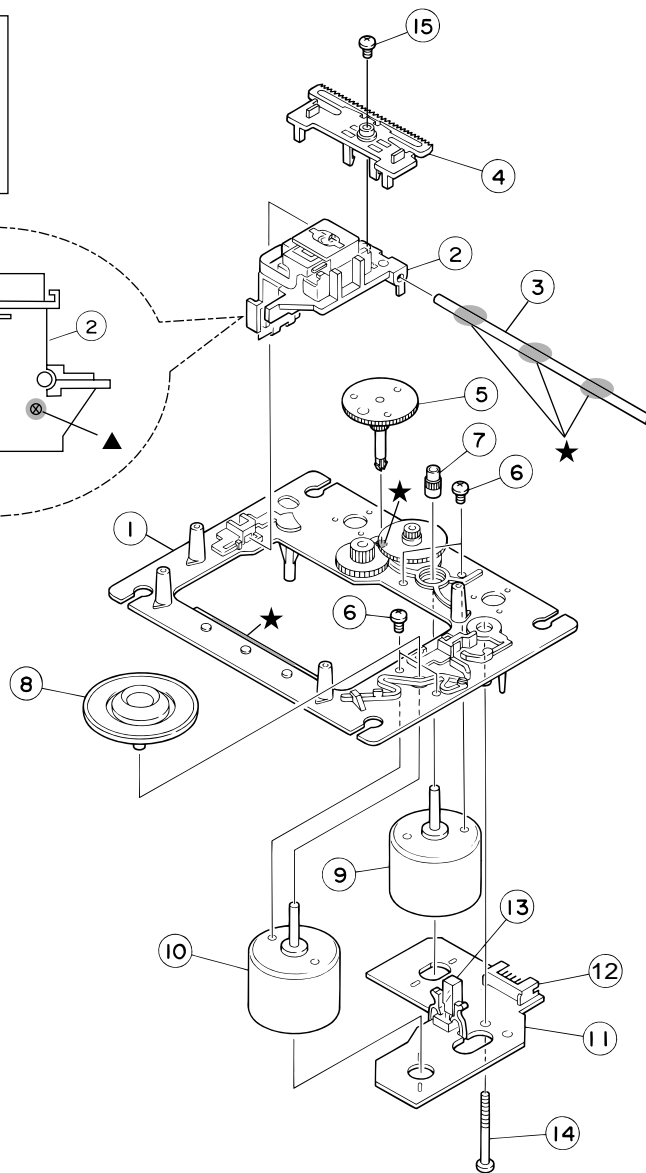
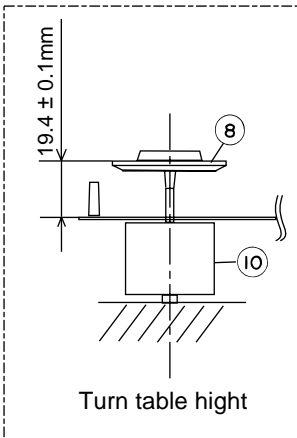
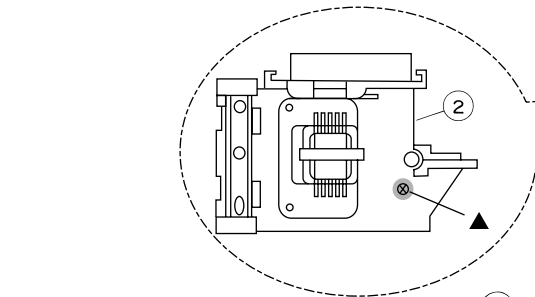
△	Item	Parts number	Parts name	Q'ty	Description	Area
	1	VKS1144-004	CHASSIS	1		
	2	VKS3698-003	TRAY GUIDE	2		
	3	VKS5532-003	PULLEY GEAR	2		
	4	VKB3000-164	BELT	2		
	5	VKS5505-003	GEAR B	2		
	6	VKS5506-002	GEAR C	3		
	7	VKS5507-002	CROSS GEAR U	1		
	8	VKS5508-002	CROSS GEAR L	1		
	9	VKS5510-003	SELECT LEVER	1		
	10	VKH5769-001	S.G.SHAFT	1		
	11	VKS5511-002	SELECT GEAR	1		
	12	VKW5155-003	COMP.SPRING	1	FOR SELECT GEAR	
	13	VKM3846-003	GEAR BRACKET	1		
	14	VKS5509-002MM	CYLINDER GEAR	1		
	15	MSN5D257A-SA2	D.C.MOTOR ASS'Y	2		
	16	QYSPSPD2616Z	SCREW	2	FOR MOTOR	
	17	LV40612-001A	COMP.SPRING	1		
	18	VKM3825-00B	C.G.BASE ASS'Y	1		
	19	VKZ3172-00ASS	CAM SW. R ASS'Y	1		
	20	VKZ3173-00ASS	CAM SW. L ASS'Y	1		
	21	QYSPST2606Z	SCREW	3	FOR CAM SW.	
	22	VKS2263-002MM	CAM R1	1		
	23	VKS2264-002MM	CAM R2	1		
	24	VKS2265-002MM	CAM GEAR L	1		
	25	WDL316050MM	SLIT WASHER	1	FOR CAM GEAR L	
	26	WDL316050MM	SLIT WASHER	1		
	27	QYSBSF2608Z	T.SCREW	4	FOR C.GEAR BASE	
	28	VKS3702-00FMM	DRIVE UNIT	1		
	29	VKS2247-004	MECHA HOLDER A	1		
	30	VKL7767-00D	BRACKET ASS'Y	1		
	31	QYSBSF2606Z	SCREW	2	FOR BRACKET	
	32	VKM3860-00C	M.HOLDER B AS'Y	1		
	33	VKL7802-00D	M.HOLDER C AS'Y	1		
	34	QYSDST2604Z	SCREW	2	FOR M.HOLDER C	
	35	VKL7810-00B	LIFTER ASS'Y R	1		
	36	VKL7811-00B	LIFTER ASS'Y L	1		
	37	VKL7812-00B	LIFTER ASS'Y H	1		
	38	VKL2732-003	LIFTER BASE	1		
	39	VKM3857-002	LIFTER BRACKET	1		
	40	QYSDST2604Z	SCREW	1		
	41	WDL266035-2	SLIT WASHER	1		
	42	QYSBSF2608Z	T.SCREW	4		
	43	VKS5514-002MM	LOCK LEVER	3		
	44	VKY3133-002MM	RETURN SPRING	1		
	45	QYSBSF2608Z	T.SCREW	1	FOR RETURN SP.	
	46	VKY3134-003MM	CLICK SPRING	1		
	47	VKS2252-00L	TRAY ASS'Y	3		
	48	VKS2250-004	TOP BRACKET	1		
	49	VKS5515-002	S.TRAY STOPPER	1		
	50	VKW5156-004	TORSION SPRING	1		
	51	QYSBSF2608Z	T.SCREW	3		
	52	QYSBSF2608Z	T.SCREW	2		

# CD mechanism assembly and parts list

Block No. M 3 M M

**Grease & Bond**

★ = EBS0006-013B  
 ▲ = 1401B



EXL-M7TMB

**Parts list (CD mechanism)**

Block No. **M3MM**

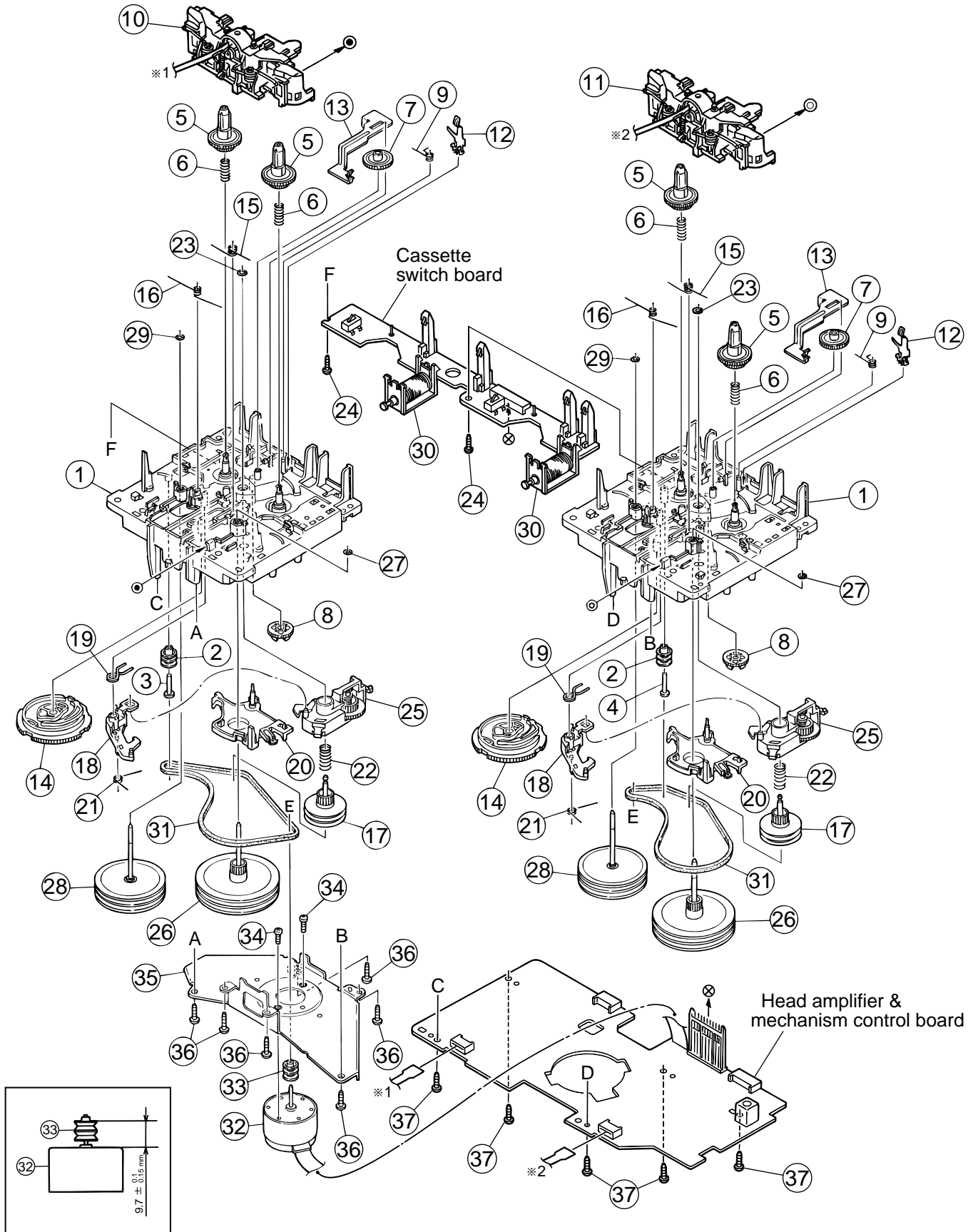
Item	Parts number	Parts name	Q'ty	Description	Area
1	E102731-221SM	CD MECHA BASE A	1		
2	OPTIMA-7B	CD PICK	1		
3	E406777-002SM	CD SHAFT	1		
4	LV31002-001A	CD RACK	1		
5	E307745-441SM	CD GEAR 3	1		
6	QYSDSP2003N	SCREW	4		
7	E406750-442SM	PINION	1		
8	EPB309173PKA	T.T PACKING	1		
9	E406784-001	FEED MOTOR	1		
10	QAR0130-001	SP MOTOR	1		
11	EMW10190-441	CIR BOARD	1		
12	QGA2001F1-06	6P PLUG ASSY	1		
13	QSW0506-001	LEAF SW	1		
14	E75832-221SS	SPECIAL SCREW	1		
15	QYSDSF2606Z	SCREW	1		



# Cassette mechanism assembly and parts list

Block No. M 4 M M

SLC-W101M



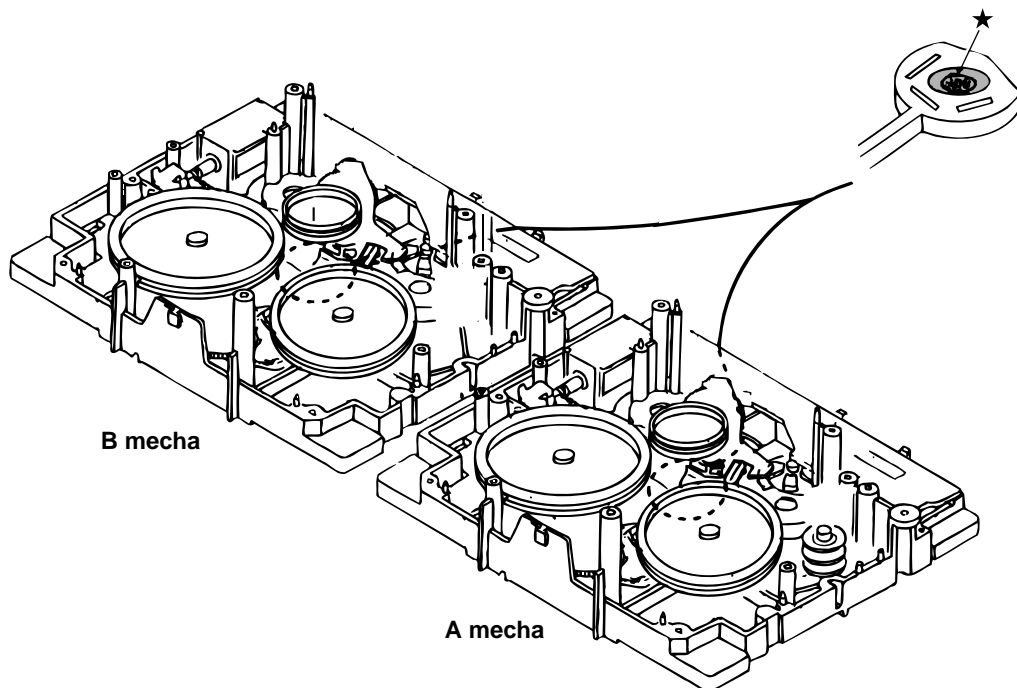
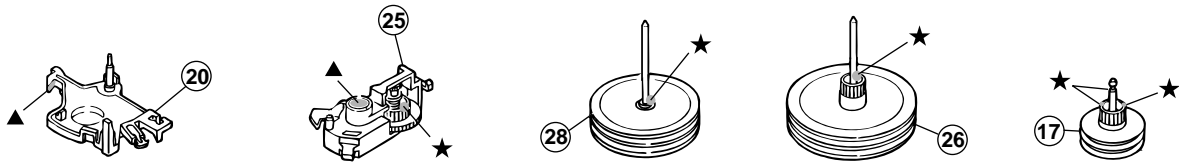
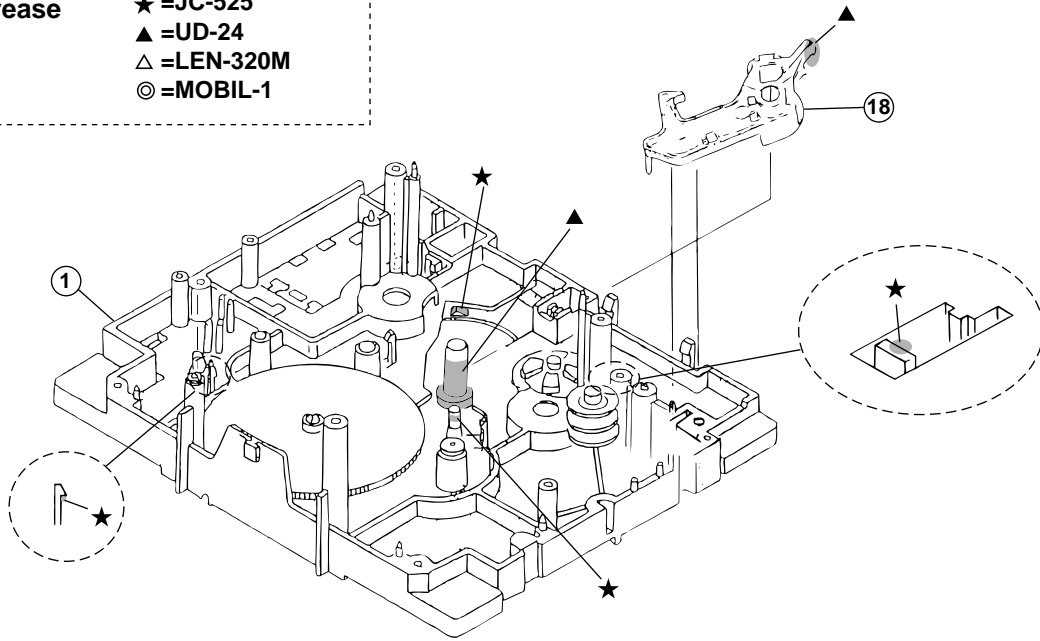
**Parts list (Cassette mechanism)**

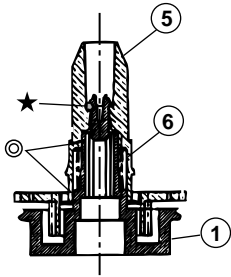
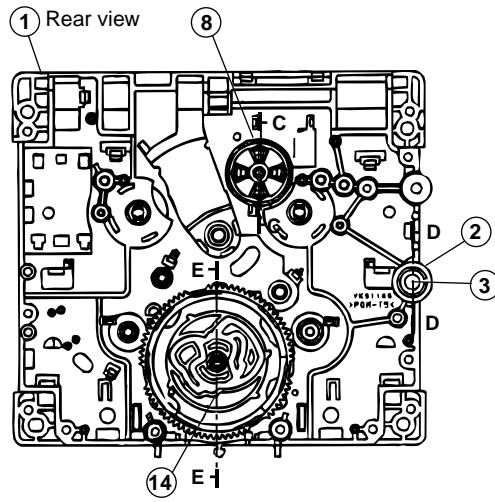
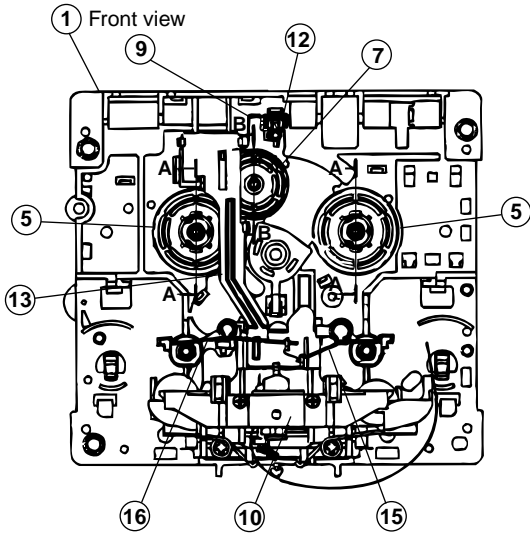
Block No. M4MM

△	Item	Parts number	Parts name	Q'ty	Description	Area
	1	VKS1165-00K	MECHA CHASSIS	2		
	2	VKR4749-003	IDLER PULLEY	2		
	3	LV42026-001A	SHAFT	1	A MECHA	
	4	VKH5786-003	SHAFT	1	B MECHA	
	5	VKS2274-002	REEL GEAR	4		
	6	VKW5286-002	B.T. SPRING	4		
	7	VKS5559-001	PLAY IDLE GEAR	2		
	8	VKS5597-00B	FR GEAR	2		
	9	VKW5296-001	EARTH SPRING	2		
	10	SLC-P1SVM	HEAD MOUNT ASSY	1	A MECHA	
	11	SLC-RP1SVM	HEAD MOUNT ASSY	1	B MECHA	
	12	VKY3149-002	CASSETTE SP.	2		
	13	VKM3906-003	PLAY SW LEVER	2		
	14	VKS1166-003	CONTROL CAM	2		
	15	VKW5279-001	HEAD BASE SP(R)	2		
	16	VKW5280-001	HEAD BASE SP(L)	2		
	17	VKS5603-00G	MAIN PULLEY ASY	2		
	18	VKS3785-001MM	FR ARM	2		
	19	VKW5284-002	SWING SPRING	2		
	20	VKS2278-003	TRIGGER ARM	2		
	21	VKW5301-001	FR SPRING	2		
	22	VKW5266-001	ELEVATOR SPRING	2		
	23	WDL214025	WASHER	2		
	24	QYSBSF2005Z	T.SCREW	2		
	25	VKS3786-00G	CLUTCH ASS'Y	2		
	26	VKF3205-00B	F.WHEEL ASSY(R)	2		
	27	WDL183425	SLIT WASHER	2		
	28	VKF3207-00B	F.WHEEL ASSY(L)	2		
	29	WDL173525-6	SLIT WASHER	2		
	30	VKZ3174-00A	DC SOLENOID	2		
	31	VKB3000-182	CAPSTAN BELT(B)	2		
	32	MSI-5U2LWA	D.C.MOTOR ASS'Y	1		
	33	VKR4761-001	MOTOR PULLEY	1		
	34	QYSPSP2604Z	SCREW	2		
	35	VKM3907-001	JOINT BRACKET	1		
	36	QYSBSF2608Z	T.SCREW	6		
	37	QYSBSF2608Z	T.SCREW	5	FOR P.W.B.	

# Grease point

Grease    ★ =JC-525  
          ▲ =UD-24  
          △ =LEN-320M  
          ◎ =MOBIL-1





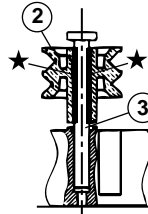
A - A (2/1, 2 places)



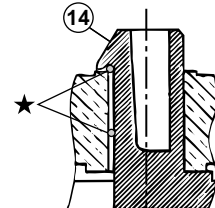
B - B (2/1)



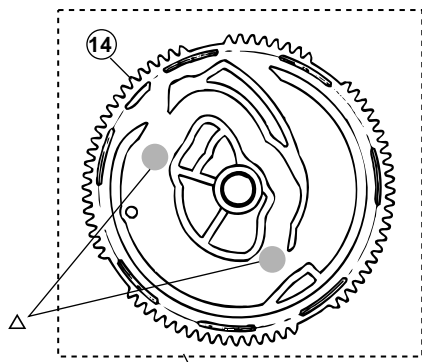
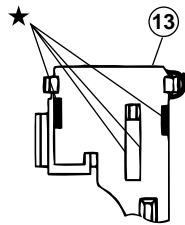
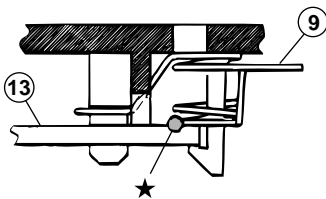
C - C (2/1)



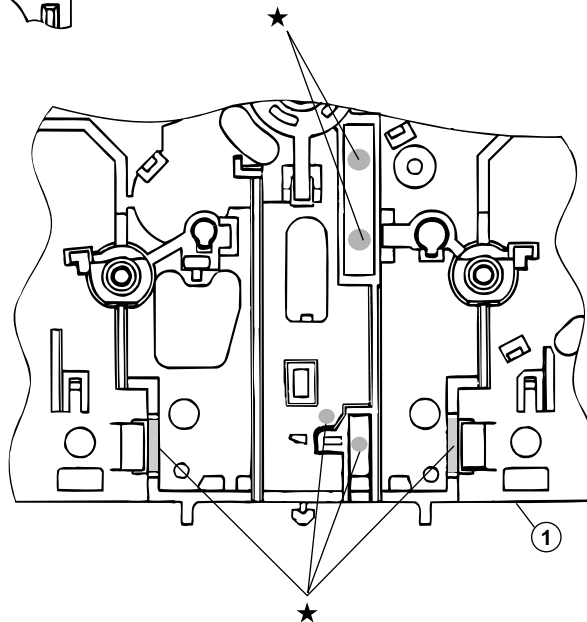
D - D (2/1)



E - E (5/1)



(Dipping)



■ Electrical parts list (Regulator & amplifier board) Block No. 01

Item	Parts number	Parts name	Remarks	Area	Item	Parts number	Parts name	Remarks	Area
C 201	QFV72AJ-104Z	MF CAPACITOR	.10MF 5% 100V		C 722	QETN1HM-106Z	E CAPACITOR	10MF 20% 50V	
C 202	QFV72AJ-104Z	MF CAPACITOR	.10MF 5% 100V		C 723	EETC1AM-107ZJC	E CAPACITOR		
C 203	QFV72AJ-104Z	MF CAPACITOR	.10MF 5% 100V		C 726	EETC1EM-106ZJC	E CAPACITOR		
C 204	QEZ0510-478	E CAPACITOR	4700MF		C 729	EETC1CM-476ZJC	E CAPACITOR		
C 205	QEZ0510-478	E CAPACITOR	4700MF		C 730	QCF31HZ-223Z	C CAPACITOR	.022MF +80:-20%	
C 211	QFLM1HJ-823Z	M CAPACITOR	.082MF 5% 50V		C 731	QCF31HZ-223Z	C CAPACITOR	.022MF +80:-20%	
C 212	QFLM1HJ-823Z	M CAPACITOR	.082MF 5% 50V		C 739	EETC1HM-105ZJC	E CAPACITOR		
C 213	QFLM1HJ-823Z	M CAPACITOR	.082MF 5% 50V		C 790	EETC1EM-476ZJC	E CAPACITOR		
C 214	EETB1VM-228JC	E CAPACITOR			C 901	QDYB1CM-103Y	C CAPACITOR		
C 215	EETB1VM-228JC	E CAPACITOR			C 902	QDYB1CM-103Y	C CAPACITOR		
C 216	QETN1VM-107Z	E CAPACITOR	100MF 20% 35V		CN201	QGB2510J1-09	CONNECTOR		
C 217	QETN1JM-476Z	E CAPACITOR	47MF 20% 63V		CN202	QGB2510J1-08	CONNECTOR		
C 218	EETC1HM-226ZJC	E CAPACITOR			CN203	QGB2510J1-04	CONNECTOR		
C 219	QDYB1CM-103Y	C CAPACITOR			CN204	QGA3901C1-07	7P CONNECTOR		
C 220	EETC1HM-226ZJC	E CAPACITOR			CN205	QGB2510J1-14	CONNECTOR		
C 221	EETC1HM-475ZJC	E CAPACITOR			CN206	QGB2510J1-10	CONNECTOR		
C 222	EETC1HM-475ZJC	E CAPACITOR			CN207	QGB2510J1-10	CONNECTOR		
C 223	EETC1HM-106ZJC	E CAPACITOR		A	CN215	QGB2510K2-14	CONNECTOR		
C 223	EETC1HM-226ZJC	E CAPACITOR		UW,UY	CN703	QGD2504C1-03Z	SOCKET		
C 223	EETC1HM-226ZJC	E CAPACITOR		UP,US	CN704	QGD2504C1-03Z	SOCKET		
C 253	EETB1EM-338JC	E CAPACITOR			CN705	QGA2501C1-02	2P CONNECTOR		
C 280	EETC1HM-224ZJC	E CAPACIOTR			CN706	QGD2504C1-03Z	SOCKET		
C 281	QETN1JM-476Z	E CAPACIOTR	47MF 20% 63V		△ D 201	1N5402M-20	DIODE		
C 372	EETC1HM-226ZJC	E CAPACITOR			△ D 202	1N5402M-20	DIODE		
C 373	QDYB1CM-103Y	C CAPACITOR			△ D 203	1N5402M-20	DIODE		
C 374	EETC1HM-226ZJC	E CAPACITOR			△ D 204	1N5402M-20	DIODE		
C 601	QCF31HZ-223Z	C CAPACITOR	.022MF +80:-20%		△ D 211	1N5402M-20	DIODE		
C 602	QCF31HZ-223Z	C CAPACITOR	.022MF +80:-20%		△ D 212	1N5402M-20	DIODE		
C 603	QCBB1HK-221Y	C CAPACITOR	220PF 10% 50V		△ D 213	1N5402M-20	DIODE		
C 604	QCBB1HK-221Y	C CAPACITOR	220PF 10% 50V		△ D 214	1N5402M-20	DIODE		
C 605	QCBB1HK-221Y	C CAPACITOR	220PF 10% 50V		△ D 217	1N4003S-T5	SI DIODE		
C 606	QCBB1HK-221Y	C CAPACITOR	220PF 10% 50V		△ D 218	1N4003S-T5	SI DIODE		
C 607	QETN1JM-476Z	E CAPACITOR	47MF 20% 63V		D 219	MTZJ33C-T2	Z DIODE		
C 608	QETN1JM-476Z	E CAPACITOR	47MF 20% 63V		D 220	MTZJ9.1B-T2	ZENER DIODE		
C 609	QCSB1HJ-100Y	C CAPACITOR	10PF 5% 50V		D 221	MTZJ5.1B-T2	ZENER DIODE		
C 610	QCSB1HJ-100Y	C CAPACITOR	10PF 5% 50V		D 223	1SS133-T2	SI DIODE		
C 611	QETN1HM-476Z	E CAPACITOR	47MF 20% 50V		△ D 227	1N4003S-T5	SI DIODE		
C 612	QETN1HM-476Z	E CAPACITOR	47MF 20% 50V		△ D 233	2A02M	DIODE		
C 613	QFLM1HJ-473Z	M CAPACITOR	.047MF 5% 50V		△ D 234	2A02M	DIODE		
C 614	QFLM1HJ-473Z	M CAPACITOR	.047MF 5% 50V		D 280	MTZJ2.4B-T2	Z.DIODE		
C 615	QFLM1HJ-473Z	M CAPACITOR	.047MF 5% 50V		D 369	MTZJ10C-T2	Z.DIODE		
C 616	QFLM1HJ-473Z	M CAPACITOR	.047MF 5% 50V		D 370	MTZJ11C-T2	Z.DIODE		
C 621	QTE1V06-106Z	E CAPACITOR			D 619	1SS133-T2	SI DIODE		
C 622	QTE1V06-106Z	E CAPACITOR			D 620	1SS133-T2	SI DIODE		
C 623	QETN1HM-106Z	E CAPACITOR	10MF 20% 50V		D 622	MTZJ9.1B-T2	ZENER DIODE		
C 624	QETN1HM-106Z	E CAPACITOR	10MF 20% 50V		D 703	MTZJ15C-T2	Z DIODE		
C 639	QFLM1HJ-104Z	M CAPACITOR	.10MF 5% 50V		D 704	MTZJ15C-T2	Z DIODE		
C 683	QFLM1HJ-823Z	M CAPACITOR	.082MF 5% 50V		D 719	1SS133-T2	SI DIODE		
C 703	QCBB1HK-471Y	C CAPACITOR	470PF 10% 50V		D 720	1SS133-T2	SI DIODE		
C 704	QCBB1HK-471Y	C CAPACITOR	470PF 10% 50V		D 723	MTZJ36A-T2	Z DIODE		
C 705	QCBB1HK-221Y	C CAPACITOR	220PF 10% 50V		D 724	MTZJ36A-T2	Z DIODE		
C 706	QCBB1HK-221Y	C CAPACITOR	220PF 10% 50V		D 726	1SS133-T2	SI DIODE		
C 707	QETN1JM-476Z	E CAPACITOR	47MF 20% 63V		D 728	1SS133-T2	SI DIODE		
C 708	QETN1JM-476Z	E CAPACITOR	47MF 20% 63V		D 790	1SS133-T2	SI DIODE		
C 709	QCSB1HK-4R7Y	C CAPACITOR	4.7PF 10% 50V		EP201	QNZ0136-001Z	EARTH PLATE		
C 710	QCSB1HK-4R7Y	C CAPACITOR	4.7PF 10% 50V		FW901	QUM027-13DGZ4	PARA RIBON WIRE		
C 711	QFV72AJ-104Z	MF CAPACITOR	.10MF 5% 100V		△ IC602	STK402-030	IC		
C 712	QFV72AJ-104Z	MF CAPACITOR	.10MF 5% 100V		△ IC701	STK412-000	IC(HYBRID)		A
C 713	QFLM1HJ-473Z	M CAPACITOR	.047MF 5% 50V		△ IC701	STK412-090	POWER IC		UW,UY
C 714	QFLM1HJ-473Z	M CAPACITOR	.047MF 5% 50V		△ IC701	STK412-090	POWER IC		UP,US
C 715	QFLM1HJ-473Z	M CAPACITOR	.047MF 5% 50V		JS901	QSW0911-001	ROTARY SWITCH		
C 716	QFLM1HJ-473Z	M CAPACITOR	.047MF 5% 50V		L 601	QQLZ005-R45	INDUCTOR		
C 721	QETN1HM-106Z	E CAPACITOR	10MF 20% 50V		L 602	QQLZ005-R45	INDUCTOR		

■ Electrical parts list (Regulator & amplifier board) Block No. 01

△	Item	Parts number	Parts name	Remarks	Area	△	Item	Parts number	Parts name	Remarks	Area
	L 701	QQLZ005-R45	INDUCTOR			△	R 605	QRJ146J-122X	UNF C.RESISTOR	1.2K 5% 1/4W	
	L 702	QQLZ005-R45	INDUCTOR			△	R 606	QRJ146J-122X	UNF C.RESISTOR	1.2K 5% 1/4W	
	Q 201	2SA934/QR/-T	TRANSISTOR				R 607	QRE141J-563Y	C RESISTOR	56K 5% 1/4W	
	Q 204	KTC3199/GL/-T	TRANSISTOR				R 608	QRE141J-563Y	C RESISTOR	56K 5% 1/4W	
	Q 240	KTC3199/GL/-T	TRANSISTOR			△	R 613	QRJ146J-100X	UNF.C RESISTOR	10 5% 1/4W	
	Q 372	KTA1023/OY/-T	TRANSISTOR			△	R 614	QRJ146J-100X	UNF.C RESISTOR	10 5% 1/4W	
	Q 373	KRA104M-T	D.TRANSISTOR			△	R 615	QRJ146J-100X	UNF.C RESISTOR	10 5% 1/4W	
	Q 374	KRC104M-T	D.TRANSISTOR			△	R 616	QRJ146J-100X	UNF.C RESISTOR	10 5% 1/4W	
	Q 601	KTA1268/GL/-T	TRANSISTOR				R 617	QRE141J-221Y	C RESISTOR	220 5% 1/4W	
	Q 602	KTA1268/GL/-T	TRANSISTOR				R 618	QRE141J-221Y	C RESISTOR	220 5% 1/4W	
	Q 612	KTA1267/YG/-T	TRANSISTOR				R 619	QRE141J-222Y	C RESISTOR	2.2K 5% 1/4W	
	Q 613	KRC102M-T	D.TRANSISTOR				R 620	QRE141J-222Y	C RESISTOR	2.2K 5% 1/4W	
	Q 680	2SK301/PQ/-T	TRANSISTOR(FET)				R 621	QRE141J-103Y	C RESISTOR	10K 5% 1/4W	
	Q 701	KTA1268/GL/-T	TRANSISTOR				R 623	QRE141J-103Y	C RESISTOR	10K 5% 1/4W	
	Q 702	KTA1268/GL/-T	TRANSISTOR			△	R 639	QRL01DJ-821X	OMF RESISTOR	820 5% 1/1W	
	Q 710	2SA965/OY/-T	TRANSISTOR			△	R 640	QRL01DJ-821X	OMF RESISTOR	820 5% 1/1W	
	Q 711	KTC3200/GL/-T	TRANSISTOR			△	R 652	QRT01DJ-R22X	UNF.MF.RESISTOR	5% 1/1W	
	Q 712	KTA1268/GL/-T	TRANSISTOR			△	R 653	QRT01DJ-R22X	UNF.MF.RESISTOR	5% 1/1W	
	Q 713	2SC2235/OY/-T	TRANSISTOR			△	R 654	QRT01DJ-R22X	UNF.MF.RESISTOR	5% 1/1W	
	Q 726	2SC2389S/SE/-T	TRANSISTOR			△	R 655	QRT01DJ-R22X	UNF.MF.RESISTOR	5% 1/1W	
	Q 727	KTA1268/GL/-T	TRANSISTOR				R 666	QRE141J-333Y	C RESISTOR	33K 5% 1/4W	
	Q 728	KTC3199/GL/-T	TRANSISTOR				R 667	QRE141J-103Y	C RESISTOR	10K 5% 1/4W	
	Q 733	2SC3576-JVC-T	TRANSISTOR				R 668	QRE141J-103Y	C RESISTOR	10K 5% 1/4W	
	Q 734	2SC3576-JVC-T	TRANSISTOR			△	R 674	QRJ146J-100X	UNF.C RESISTOR	10 5% 1/4W	
	Q 735	2SC3576-JVC-T	TRANSISTOR				R 675	QRE141J-102Y	C RESISTOR	1.0K 5% 1/4W	
	Q 736	2SC3576-JVC-T	TRANSISTOR				R 676	QRE141J-102Y	C RESISTOR	1.0K 5% 1/4W	
	Q 737	KRA111M-T	D.TRANSISTOR				R 680	QRE141J-105Y	C RESISTOR	1.0M 5% 1/4W	
	Q 790	KTC3199/GL/-T	TRANSISTOR				R 681	QRE141J-392Y	C RESISTOR	3.9K 5% 1/4W	
	Q 791	KTC3199/GL/-T	TRANSISTOR				R 682	QRE141J-475Y	C RESISTOR	4.7M 5% 1/4W	
	Q 792	KTC3203/OY/-T	TRANSISTOR			△	R 701	QRJ146J-470X	UNF C.RESISTOR	47 5% 1/4W	
△	R 202	QRZ9042-2R2X	F RESISTOR	2.2 1/0W		△	R 702	QRJ146J-470X	UNF C.RESISTOR	47 5% 1/4W	
	R 203	QRE141J-752Y	C RESISTOR	7.5K 5% 1/4W			R 703	QRE141J-563Y	C RESISTOR	56K 5% 1/4W	
	R 204	QRE141J-223Y	C RESISTOR	22K 5% 1/4W			R 704	QRE141J-563Y	C RESISTOR	56K 5% 1/4W	
	R 205	QRE141J-104Y	C RESISTOR	100K 5% 1/4W		△	R 705	QRJ146J-821X	UNF C.RESISTOR	820 5% 1/4W	
	R 207	QRE141J-512Y	C RESISTOR	5.1K 5% 1/4W	A	△	R 706	QRJ146J-821X	UNF C.RESISTOR	820 5% 1/4W	
	R 207	QRE141J-103Y	C RESISTOR	10K 5% 1/4W	UW,UY		R 707	QRE141J-563Y	C RESISTOR	56K 5% 1/4W	
	R 207	QRE141J-103Y	C RESISTOR	10K 5% 1/4W	UP,US		R 708	QRE141J-563Y	C RESISTOR	56K 5% 1/4W	
	R 209	QRE141J-103Y	C RESISTOR	10K 5% 1/4W		△	R 713	QRJ146J-100X	UNF.C RESISTOR	10 5% 1/4W	
	R 210	QRE141J-302Y	C RESISTOR	3.0K 5% 1/4W		△	R 714	QRJ146J-100X	UNF.C RESISTOR	10 5% 1/4W	
	R 215	QRE141J-473Y	C RESISTOR	47K 5% 1/4W		△	R 715	QRJ146J-100X	UNF.C RESISTOR	10 5% 1/4W	
	R 216	QRE141J-473Y	C RESISTOR	47K 5% 1/4W		△	R 716	QRJ146J-100X	UNF.C RESISTOR	10 5% 1/4W	
	R 217	QRE141J-273Y	C RESISTOR	27K 5% 1/4W			R 717	QRE141J-102Y	C RESISTOR	1.0K 5% 1/4W	
	R 218	QRE141J-273Y	C RESISTOR	27K 5% 1/4W			R 718	QRE141J-102Y	C RESISTOR	1.0K 5% 1/4W	
△	R 220	QRJ146J-470X	UNF C.RESISTOR	47 5% 1/4W	UP,US		R 719	QRE141J-562Y	C RESISTOR	5.6K 5% 1/4W	
△	R 220	QRJ146J-151X	UNF C.RESISTOR	150 5% 1/4W	A		R 720	QRE141J-562Y	C RESISTOR	5.6K 5% 1/4W	
△	R 220	QRJ146J-470X	UNF C.RESISTOR	47 5% 1/4W	UW,UY		R 721	QRE141J-103Y	C RESISTOR	10K 5% 1/4W	
	R 242	QRE141J-103Y	C RESISTOR	10K 5% 1/4W			R 722	QRE141J-103Y	C RESISTOR	10K 5% 1/4W	
△	R 246	QRJ146J-1R0X	UNF C.RESISTOR	1.0 5% 1/4W			R 723	QRE141J-682Y	C RESISTOR	6.8K 5% 1/4W	
△	R 247	QRJ146J-1R0X	UNF C.RESISTOR	1.0 5% 1/4W			R 724	QRE141J-682Y	C RESISTOR	6.8K 5% 1/4W	
△	R 248	QRJ146J-1R0X	UNF C.RESISTOR	1.0 5% 1/4W			R 725	QRE141J-823Y	C RESISTOR	82K 5% 1/4W	
△	R 249	QRJ146J-1R0X	UNF C.RESISTOR	1.0 5% 1/4W			R 726	QRE141J-104Y	C RESISTOR	100K 5% 1/4W	
	R 281	QRE141J-562Y	C RESISTOR	5.6K 5% 1/4W	A		R 727	QRE141J-104Y	C RESISTOR	100K 5% 1/4W	
	R 281	QRE141J-472Y	C RESISTOR	4.7K 5% 1/4W	UW,UY		R 728	QRE141J-103Y	C RESISTOR	10K 5% 1/4W	
	R 281	QRE141J-472Y	C RESISTOR	4.7K 5% 1/4W	UP,US		R 729	QRE141J-104Y	C RESISTOR	100K 5% 1/4W	
	R 283	QRE141J-153Y	C RESISTOR	15K 5% 1/4W			R 730	QRE141J-103Y	C RESISTOR	10K 5% 1/4W	
	R 284	QRE141J-473Y	C RESISTOR	47K 5% 1/4W			R 733	QRE141J-472Y	C RESISTOR	4.7K 5% 1/4W	
	R 384	QRE141J-272Y	C RESISTOR	2.7K 5% 1/4W			R 734	QRE141J-472Y	C RESISTOR	4.7K 5% 1/4W	
	R 385	QRE141J-562Y	C RESISTOR	5.6K 5% 1/4W			R 735	QRE141J-472Y	C RESISTOR	4.7K 5% 1/4W	
	R 389	QRE141J-103Y	C RESISTOR	10K 5% 1/4W			R 736	QRE141J-472Y	C RESISTOR	4.7K 5% 1/4W	
△	R 601	QRJ146J-101X	UNF C.RESISTOR	100 5% 1/4W		△	R 739	QRL01DJ-821X	OMF RESISTOR	820 5% 1/1W	
△	R 602	QRJ146J-101X	UNF C.RESISTOR	100 5% 1/4W		△	R 740	QRL01DJ-821X	OMF RESISTOR	820 5% 1/1W	
	R 603	QRE141J-563Y	C RESISTOR	56K 5% 1/4W			R 741	QRE141J-682Y	C RESISTOR	6.8K 5% 1/4W	
	R 604	QRE141J-563Y	C RESISTOR	56K 5% 1/4W			R 742	QRE141J-682Y	C RESISTOR	6.8K 5% 1/4W	

**■ Electrical parts list (Regulator & amplifier board) Block No. 01**

△	Item	Parts number	Parts name	Remarks	Area
	R 753	QRZ0197-R22	EMIT.RESISTOR	1/1W	
	R 754	QRZ0197-R22	EMIT.RESISTOR	1/1W	
	R 761	QRE141J-102Y	C RESISTOR	1.0K 5% 1/4W	
	R 762	QRE141J-102Y	C RESISTOR	1.0K 5% 1/4W	
	R 766	QRE141J-333Y	C RESISTOR	33K 5% 1/4W	
	R 768	QRE141J-104Y	C RESISTOR	100K 5% 1/4W	
	R 769	QRE141J-222Y	C RESISTOR	2.2K 5% 1/4W	
△	R 774	QRJ146J-100X	UNF.C RESISTOR	10 5% 1/4W	
	R 775	QRE141J-102Y	C RESISTOR	1.0K 5% 1/4W	
	R 776	QRE141J-102Y	C RESISTOR	1.0K 5% 1/4W	
	R 777	QRE141J-103Y	C RESISTOR	10K 5% 1/4W	
	R 778	QRE141J-103Y	C RESISTOR	10K 5% 1/4W	
	R 786	QRE141J-103Y	C RESISTOR	10K 5% 1/4W	
	R 787	QRE141J-103Y	C RESISTOR	10K 5% 1/4W	
	R 790	QRE141J-103Y	C RESISTOR	10K 5% 1/4W	
	R 792	QRE141J-102Y	C RESISTOR	1.0K 5% 1/4W	
	R 793	QRE141J-104Y	C RESISTOR	100K 5% 1/4W	
	R 794	QRE141J-103Y	C RESISTOR	10K 5% 1/4W	
	R 795	QRE141J-103Y	C RESISTOR	10K 5% 1/4W	
	R 796	QRE141J-682Y	C RESISTOR	6.8K 5% 1/4W	
	R 797	QRE141J-203Y	C RESISTOR	20K 5% 1/4W	
△	R 798	QRJ146J-100X	UNF.C RESISTOR	10 5% 1/4W	
	R 908	QRE141J-562Y	C RESISTOR	5.6K 5% 1/4W	
	S 901	QSW0674-001Z	TACT SWITCH		
	S 902	QSW0674-001Z	TACT SWITCH		

## ■ Electrical parts list (Main board)

Block No. 02

△	Item	Parts number	Parts name	Remarks	Area	△	Item	Parts number	Parts name	Remarks	Area
	C 250	QETC1EM-226Z	E CAPACITOR	22MF 20% 25V	A		C 502	QETN1HM-475Z	E CAPACITOR	4.7MF 20% 50V	
	C 251	EETC1CM-477ZJC	E CAPACITOR		A		C 503	QFVJ1HJ-224Z	MF CAPACITOR	.22MF 5% 50V	
△	C 252	QCZ9104-472	C CAPACITOR	4700PF	A		C 504	QFLM1HJ-822Z	M CAPACITOR	8200PF 5% 50V	
	C 253	QFLM1HJ-472Z	M CAPACITOR	4700PF 5% 50V	A		C 505	QFVJ1HJ-274Z	MF CAPACITOR	.27MF 5% 50V	
	C 401	QCBB1HK-221Y	C CAPACITOR	220PF 10% 50V			C 507	QFLM1HJ-153Z	M CAPACITOR	.015MF 5% 50V	
	C 402	QCBB1HK-221Y	C CAPACITOR	220PF 10% 50V			C 508	QFLM1HJ-273Z	M CAPACITOR	.027MF 5% 50V	
	C 403	FQCF31HP-103Z	D CAPACITOR				C 509	QETN1HM-475Z	E CAPACITOR	4.7MF 20% 50V	
	C 404	QETN1CM-476Z	E CAPACITOR	47MF 20% 16V			C 510	QETN1HM-475Z	E CAPACITOR	4.7MF 20% 50V	
	C 405	QDGB1HK-102Y	C CAPACITOR		A		C 514	QFLM1HJ-473Z	M CAPACITOR	470PF 5% 50V	
	C 406	QDGB1HK-102Y	C CAPACITOR		A		C 526	EETC1AM-107ZJC	E CAPACITOR		
	C 411	QCBB1HK-221Y	C CAPACITOR	220PF 10% 50V	A		C 527	QFLM1HJ-273Z	M CAPACITOR	.027MF 5% 50V	
	C 412	QCBB1HK-221Y	C CAPACITOR	220PF 10% 50V	A		C 528	QFLM1HJ-104Z	M CAPACITOR	.10MF 5% 50V	
	C 415	QDXB1CM-222Y	C CAPACITOR		A		C 530	QFLM1HJ-104Z	M CAPACITOR	.10MF 5% 50V	
	C 426	QDVB1EZ-223Y	C CAPACITOR				C 531	QFVJ1HJ-274Z	MF CAPACITOR	.27MF 5% 50V	
	C 427	EETC1EM-106ZJC	E CAPACITOR				C 532	QETN1CM-476Z	E CAPACITOR	47MF 20% 16V	
	C 432	FQCF31HP-103Z	D CAPACITOR		A		C 534	QETN1CM-476Z	E CAPACITOR	47MF 20% 16V	
	C 433	FQCF31HP-103Z	D CAPACITOR		A		C 535	EETC1AM-107ZJC	E CAPACITOR		
	C 436	EETC1AM-107ZJC	E CAPACITOR				C 556	QETN1EM-106Z	E CAPACITOR	10MF 20% 25V	
	C 437	EETC1EM-106ZJC	E CAPACITOR				C 571	QETN1HM-225Z	E CAPACITOR	2.2MF 20% 50V	
	C 438	QDYB1CM-103Y	C CAPACITOR				C 575	QCBB1HK-101Y	C CAPACITOR	100PF 10% 50V	
	C 439	QETN1EM-106Z	E CAPACITOR	10MF 20% 25V			C 576	QETN1CM-476Z	E CAPACITOR	47MF 20% 16V	
	C 440	QETN1EM-106Z	E CAPACITOR	10MF 20% 25V			C 577	QETN1CM-476Z	E CAPACITOR	47MF 20% 16V	
	C 441	QTE1V06-106Z	E CAPACITOR				C 578	EETC1HM-105ZJC	E CAPACITOR		
	C 442	QTE1V06-106Z	E CAPACITOR				C 585	EETC1HM-105ZJC	E CAPACITOR		
	C 443	EETC1HM-225ZJC	E CAPACITOR				C 586	QDXB1CM-182Y	C CAPACITOR		
	C 444	EETC1HM-225ZJC	E CAPACITOR				C 587	QCSB1HJ-330Y	C CAPACITOR	33PF 5% 50V	
	C 445	QETN1EM-106Z	E CAPACITOR	10MF 20% 25V			C 588	QDGB1HK-681Y	C CAPACITOR		
	C 446	QETN1EM-106Z	E CAPACITOR	10MF 20% 25V			C 589	QFLM1HJ-153Z	M CAPACITOR	.015MF 5% 50V	
	C 447	QETN1CM-106Z	E CAPACITOR	10MF 20% 16V			C 887	QCF31HZ-103Z	C CAPACITOR	.010MF +80:-20%	A
	C 448	QETN1CM-106Z	E CAPACITOR	10MF 20% 16V			C 888	QFLM1HJ-223Z	M CAPACITOR	.022MF 5% 50V	A
	C 449	QETN1HM-225Z	E CAPACITOR	2.2MF 20% 50V			C 889	QCF31HZ-103Z	C CAPACITOR	.010MF +80:-20%	A
	C 450	QETN1HM-225Z	E CAPACITOR	2.2MF 20% 50V			C 993	QDYB1CM-103Y	C CAPACITOR		A
	C 453	QFLM1HJ-104Z	M CAPACITOR	.10MF 5% 50V			C 995	EETC1AM-107ZJC	E CAPACITOR		
	C 454	QFLM1HJ-104Z	M CAPACITOR	.10MF 5% 50V			C 996	QCSB1HJ-100Y	C CAPACITOR	10PF 5% 50V	
	C 455	QFVJ1HJ-104Z	MF CAPACITOR	.10MF 5% 50V			C 997	QCSB1HJ-100Y	C CAPACITOR	10PF 5% 50V	
	C 456	QFVJ1HJ-104Z	MF CAPACITOR	.10MF 5% 50V			C 998	QCBB1HK-101Y	C CAPACITOR	100PF 10% 50V	
	C 457	QFLM1HJ-223Z	M CAPACITOR	.022MF 5% 50V			C 999	QCBB1HK-101Y	C CAPACITOR	100PF 10% 50V	
	C 458	QFLM1HJ-223Z	M CAPACITOR	.022MF 5% 50V			CN 11	QGF1205F1-09	CONNECTOR		
	C 459	QFLM1HJ-183Z	M CAPACITOR	.018MF 5% 50V			CN208	WJK0114-002A	CONN.WIRE ASSY		UP,US
	C 460	QFLM1HJ-183Z	M CAPACITOR	.018MF 5% 50V			CN208	WJK0114-002A	CONN.WIRE ASSY		UW,UY
	C 461	QFLM1HJ-562Z	M CAPACITOR	5600PF 5% 50V			CN209	WJK0070-002A	WIRE		A
	C 462	QFLM1HJ-562Z	M CAPACITOR	5600PF 5% 50V			CN209	WJK0071-002A	WIRE		US,UW
	C 466	QETN1HM-475Z	E CAPACITOR	4.7MF 20% 50V	US,UW		CN211	QGB2510K2-09	CONNECTOR		
	C 467	QETN1HM-225Z	E CAPACITOR	2.2MF 20% 50V	US,UW		CN212	QGB2510K2-08	CONNECTOR		
	C 468	EETC1EM-226ZJC	E.CAPA. I.M		US,UW		CN213	QGB2510K2-04	CONNECTOR		
	C 469	QFLM1HJ-683Z	M CAPACITOR	.068MF 5% 50V	US,UW		CN214	QJK015-071214	SKT WIRE		
	C 470	QFVJ1HJ-274Z	MF CAPACITOR	.27MF 5% 50V	US,UW		CN218	QGA7901F1-03	CONNECTOR		UP,US
	C 471	QETN1EM-106Z	E CAPACITOR	10MF 20% 25V	US,UW		CN218	QGA7901F1-03	CONNECTOR		UW,UY
	C 472	QETN1EM-106Z	E CAPACITOR	10MF 20% 25V	US,UW		CN218	QGA7901F2-02	CONNECTOR		A
	C 473	QETN1EM-106Z	E CAPACITOR	10MF 20% 25V	US,UW		CN219	QGA7901C1-04	CONNECTOR		US,UW
	C 474	QETN1EM-106Z	E CAPACITOR	10MF 20% 25V	US,UW		CN220	QGD2504C1-03Z	SOCKET		
	C 475	EETC1HM-105ZJC	E CAPACITOR		US,UW		CN250	QGA7901C1-02	CONNECTOR		
	C 476	QFLM1HJ-682Z	M CAPACITOR	6800PF 5% 50V	US,UW		CN251	QGB2510K2-04	CONNECTOR		
	C 481	QFLM1HJ-223Z	M CAPACITOR	.022MF 5% 50V			CN315	QGF1205C1-10	CONNECTOR		
	C 482	QFLM1HJ-223Z	M CAPACITOR	.022MF 5% 50V			CN503	QGF1205F1-13	CONNECTOR		
	C 483	QFLM1HJ-223Z	M CAPACITOR	.022MF 5% 50V			CN661	QGF1016F3-19	CONNECTOR		
	C 484	QFLM1HJ-223Z	M CAPACITOR	.022MF 5% 50V			CN870	QGF1205C1-17	CONNECTOR		
	C 485	QTE1V06-106Z	E CAPACITOR				CN871	QGF1205C1-17	CONNECTOR		
	C 486	QTE1V06-106Z	E CAPACITOR				C1201	QETN1AM-227Z	E CAPACITOR	220MF 20% 10V	
	C 487	EETC1AM-107ZJC	E CAPACITOR				C1202	QFLM1HJ-823Z	M CAPACITOR	.082MF 5% 50V	
	C 488	EETC1HM-105ZJC	E CAPACITOR				C1205	FQCF31HP-103Z	D CAPACITOR		A
	C 489	EETC1AM-107ZJC	E CAPACITOR				C1206	FQCF31HP-223Z	M CAPACITOR		A
	C 501	QETN1HM-475Z	E CAPACITOR	4.7MF 20% 50V			C1207	FQCF31HP-103Z	D CAPACITOR		A



## ■ Electrical parts list (Main board)

Block No. 02

△	Item	Parts number	Parts name	Remarks	Area	△	Item	Parts number	Parts name	Remarks	Area
	C1228	EETC1AM-107ZJC	E CAPACITOR				R 406	QRE141J-222Y	C RESISTOR	2.2K 5% 1/4W	
	D 252	1N4003S-T5	SI DIODE		A		R 407	QRE141J-272Y	C RESISTOR	2.7K 5% 1/4W	
	D 254	1SS133-T2	SI DIODE		A		R 411	QRE141J-103Y	C RESISTOR	10K 5% 1/4W	
	D 255	1SS133-T2	SI DIODE		A		R 412	QRE141J-103Y	C RESISTOR	10K 5% 1/4W	
	D 256	MTZJ6.2A-T2	Z.DIODE		A		R 413	QRE141J-683Y	C RESISTOR	68K 5% 1/4W	
	D 411	1SS133-T2	SI DIODE				R 414	QRE141J-683Y	C RESISTOR	68K 5% 1/4W	
	D 412	1SS133-T2	SI DIODE				R 426	QRE141J-560Y	C RESISTOR	56 5% 1/4W	
	D 426	MTZJ5.1B-T2	ZENER DIODE				R 431	QRE141J-303Y	C RESISTOR	30K 5% 1/4W	
	D 431	MTZJ3.9B-T2	ZENER DIODE				R 432	QRE141J-303Y	C RESISTOR	30K 5% 1/4W	
	D 432	MTZJ3.9B-T2	ZENER DIODE			△	R 434	QRJ146J-4R7X	UNF C.RESISTOR	4.7 5% 1/4W	
	D 434	MTZJ5.1B-T2	ZENER DIODE				R 435	QRE141J-103Y	C RESISTOR	10K 5% 1/4W	
	D 501	1SS133-T2	SI DIODE				R 436	QRE141J-103Y	C RESISTOR	10K 5% 1/4W	
	D 502	1SS133-T2	SI DIODE				R 437	QRE141J-102Y	C RESISTOR	1.0K 5% 1/4W	
	D 571	1SS133-T2	SI DIODE				R 438	QRE141J-272Y	C RESISTOR	2.7K 5% 1/4W	
	D 572	1SS133-T2	SI DIODE				R 439	QRE141J-562Y	C RESISTOR	5.6K 5% 1/4W	
	D 585	1SS133-T2	SI DIODE				R 440	QRE141J-562Y	C RESISTOR	5.6K 5% 1/4W	
	D 592	1SS133-T2	SI DIODE				R 441	QRE141J-272Y	C RESISTOR	2.7K 5% 1/4W	
	D 593	1SS133-T2	SI DIODE				R 442	QRE141J-103Y	C RESISTOR	10K 5% 1/4W	
	EP250	E409182-001SM	GRAND TERMINAL				R 443	QRE141J-104Y	C RESISTOR	100K 5% 1/4W	
	FT111	QNG0020-001Z	FUSE CLIP				R 444	QRE141J-104Y	C RESISTOR	100K 5% 1/4W	
	FT112	QNG0020-001Z	FUSE CLIP				R 466	QRE141J-201Y	C RESISTOR	200 5% 1/4W	US,UW
	FT131	QNG0020-001Z	FUSE CLIP		US,UW		R 467	QRE141J-203Y	C RESISTOR	20K 5% 1/4W	US,UW
	FT132	QNG0020-001Z	FUSE CLIP		US,UW		R 468	QRE141J-203Y	C RESISTOR	20K 5% 1/4W	US,UW
	FT511	QNG0020-001Z	FUSE CLIP				R 469	QRE141J-562Y	C RESISTOR	5.6K 5% 1/4W	US,UW
	FT512	QNG0020-001Z	FUSE CLIP				R 470	QRE141J-562Y	C RESISTOR	5.6K 5% 1/4W	US,UW
	FT521	QNG0020-001Z	FUSE CLIP				R 471	QRE141J-223Y	C RESISTOR	22K 5% 1/4W	US,UW
	FT522	QNG0020-001Z	FUSE CLIP				R 472	QRE141J-102Y	C RESISTOR	1.0K 5% 1/4W	US,UW
	FW401	QUM155-09Z4Z4	PARA RIBON WIRE				R 473	QRE141J-153Y	C RESISTOR	15K 5% 1/4W	US,UW
	FW714	QUM156-18DGZ4	PARA RIBON WIRE				R 474	QRE141J-513Y	C RESISTOR	51K 5% 1/4W	US,UW
	IC436	TDA7439	IC				R 475	QRE141J-101Y	C RESISTOR	100 5% 1/4W	US,UW
	IC466	BA3837	IC(VOCALFADER)		US,UW		R 485	QRE141J-563Y	C RESISTOR	51K 5% 1/4W	
	IC481	BA15218	IC				R 486	QRE141J-563Y	C RESISTOR	56K 5% 1/4W	
	IC501	BA15218	IC				R 487	QRE141J-823Y	C RESISTOR	82K 5% 1/4W	
	IC502	BA15218	IC				R 488	QRE141J-823Y	C RESISTOR	82K 5% 1/4W	
	IC526	BA15218	IC				R 489	QRE141J-682Y	C RESISTOR	6.8K 5% 1/4W	
	IC571	BA15218	IC				R 490	QRE141J-682Y	C RESISTOR	6.8K 5% 1/4W	
	J 411	QNN0420-001	PIN JACK				R 491	QRE141J-472Y	C RESISTOR	4.7K 5% 1/4W	
	J 426	GP1FA550TZ	OPT TRANSMITTER				R 492	QRE141J-472Y	C RESISTOR	4.7K 5% 1/4W	
	L 546	QQR0779-001Z	INDUCTOR				R 493	QRE141J-103Y	C RESISTOR	10K 5% 1/4W	
	L 566	QQR0779-001Z	INDUCTOR				R 494	QRE141J-103Y	C RESISTOR	10K 5% 1/4W	
	Q 250	2SC2785/FE/-T	TRANSISTOR		A		R 495	QRE141J-101Y	C RESISTOR	100 5% 1/4W	
	Q 251	2SC2235/OY/-T	TRANSISTOR		A		R 496	QRE141J-102Y	C RESISTOR	1.0K 5% 1/4W	
	Q 401	2SC3576-JVC-T	TRANSISTOR				R 498	QRE141J-101Y	C RESISTOR	100 5% 1/4W	
	Q 402	2SC3576-JVC-T	TRANSISTOR				R 501	QRE141J-332Y	C RESISTOR	3.3K 5% 1/4W	
	Q 481	2SC3576-JVC-T	TRANSISTOR				R 502	QRE141J-332Y	C RESISTOR	3.3K 5% 1/4W	
	Q 482	2SC3576-JVC-T	TRANSISTOR				R 503	QRE141J-303Y	C RESISTOR	30K 5% 1/4W	
	Q 483	KRA102M-T	D.TRANSISTOR				R 504	QRE141J-104Y	C RESISTOR	100K 5% 1/4W	
	Q 556	2SC3576-JVC-T	TRANSISTOR				R 505	QRE141J-223Y	C RESISTOR	22K 5% 1/4W	
	Q 557	2SC3576-JVC-T	TRANSISTOR				R 506	QRE141J-223Y	C RESISTOR	22K 5% 1/4W	
	Q 562	2SC3576-JVC-T	TRANSISTOR				R 507	QRE141J-303Y	C RESISTOR	30K 5% 1/4W	
	Q 571	2SC2785/FE/-T	TRANSISTOR				R 508	QRE141J-274Y	C RESISTOR	270K 5% 1/4W	
	Q 572	2SC2785/FE/-T	TRANSISTOR				R 510	QRE141J-104Y	C RESISTOR	100K 5% 1/4W	
	Q 573	2SC2785/FE/-T	TRANSISTOR				R 511	QRE141J-104Y	C RESISTOR	100K 5% 1/4W	
	Q 585	KTC3199/GL/-T	TRANSISTOR				R 512	QRE141J-224Y	C RESISTOR	220K 5% 1/4W	
	Q 586	KTC3199/GL/-T	TRANSISTOR				R 513	QRE141J-224Y	C RESISTOR	220K 5% 1/4W	
	Q 999	KRA102M-T	D.TRANSISTOR				R 517	QRE141J-563Y	C RESISTOR	56K 5% 1/4W	
	R 250	QRE141J-332Y	C RESISTOR	3.3K 5% 1/4W	A		R 518	QRE141J-104Y	C RESISTOR	100K 5% 1/4W	
	R 253	QRE141J-332Y	C RESISTOR	3.3K 5% 1/4W	A		R 519	QRE141J-104Y	C RESISTOR	100K 5% 1/4W	
	R 401	QRE141J-102Y	C RESISTOR	1.0K 5% 1/4W			R 523	QRE141J-822Y	C RESISTOR	8.2K 5% 1/4W	
	R 402	QRE141J-102Y	C RESISTOR	1.0K 5% 1/4W			R 524	QRE141J-182Y	C RESISTOR	1.8K 5% 1/4W	
	R 403	QRE141J-472Y	C RESISTOR	4.7K 5% 1/4W			R 526	QRE141J-101Y	C RESISTOR	100 5% 1/4W	
	R 404	QRE141J-472Y	C RESISTOR	4.7K 5% 1/4W			R 528	QRE141J-182Y	C RESISTOR	1.8K 5% 1/4W	
	R 405	QRE141J-222Y	C RESISTOR	2.2K 5% 1/4W			R 529	QRE141J-223Y	C RESISTOR	22K 5% 1/4W	

## ■ Electrical parts list (Main board)

Block No. 02

△	Item	Parts number	Parts name	Remarks	Area
	R 530	QRE141J-562Y	C RESISTOR	5.6K 5% 1/4W	
	R 531	QRE141J-153Y	C RESISTOR	15K 5% 1/4W	
	R 532	QRE141J-223Y	C RESISTOR	22K 5% 1/4W	
	R 534	QRE141J-184Y	C RESISTOR	180K 5% 1/4W	
	R 536	QRE141J-153Y	C RESISTOR	15K 5% 1/4W	
	R 537	QRE141J-101Y	C RESISTOR	100 5% 1/4W	
	R 541	QRE141J-223Y	C RESISTOR	22K 5% 1/4W	
	R 557	QRE141J-123Y	C RESISTOR	12K 5% 1/4W	
	R 558	QRE141J-472Y	C RESISTOR	4.7K 5% 1/4W	
	R 560	QRE141J-303Y	C RESISTOR	30K 5% 1/4W	
	R 562	QRE141J-103Y	C RESISTOR	10K 5% 1/4W	
	R 563	QRE141J-223Y	C RESISTOR	22K 5% 1/4W	
	R 564	QRE141J-223Y	C RESISTOR	22K 5% 1/4W	
	R 571	QRE141J-271Y	C RESISTOR	270 5% 1/4W	
	R 572	QRE141J-473Y	C RESISTOR	47K 5% 1/4W	
	R 575	QRE141J-473Y	C RESISTOR	47K 5% 1/4W	
	R 576	QRE141J-104Y	C RESISTOR	100K 5% 1/4W	
	R 577	QRE141J-104Y	C RESISTOR	100K 5% 1/4W	
	R 579	QRE141J-683Y	C RESISTOR	100K 5% 1/4W	UP,US
	R 579	QRE141J-683Y	C RESISTOR	68K 5% 1/4W	UW,UY
	R 579	QRE141J-823Y	C RESISTOR	82K 5% 1/4W	A
	R 580	QRE141J-222Y	C RESISTOR	2.2K 5% 1/4W	A
	R 580	QRE141J-103Y	C RESISTOR	10K 5% 1/4W	UW,UY
	R 580	QRE141J-103Y	C RESISTOR	10K 5% 1/4W	UP,US
	R 581	QRE141J-224Y	C RESISTOR	220K 5% 1/4W	
	R 582	QRE141J-101Y	C RESISTOR	100 5% 1/4W	
	R 583	QRE141J-101Y	C RESISTOR	100 5% 1/4W	
	R 585	QRE141J-473Y	C RESISTOR	47K 5% 1/4W	
	R 586	QRE141J-225Y	C RESISTOR	2.2M 5% 1/4W	
	R 587	QRE141J-104Y	C RESISTOR	100K 5% 1/4W	
	R 588	QRE141J-220Y	C RESISTOR	22 5% 1/4W	
	R 886	QRE141J-333Y	C RESISTOR	33K 5% 1/4W	
	R 993	QRJ146J-4R7X	UNF C.RESISTOR	4.7 5% 1/4W	
	R 994	QRE141J-103Y	C RESISTOR	10K 5% 1/4W	
	R 995	QRE141J-333Y	C RESISTOR	33K 5% 1/4W	
	R 996	QRE141J-103Y	C RESISTOR	10K 5% 1/4W	US,UW
	R 997	QRE141J-103Y	C RESISTOR	10K 5% 1/4W	
	R 998	QRE141J-103Y	C RESISTOR	10K 5% 1/4W	
	R 999	QRE141J-103Y	C RESISTOR	10K 5% 1/4W	
△	RY 3	QSK0124-001	RELAY		A
△	R1002	ERX12SJR33E	UNF.C.RESISTOR		
	R1202	QRE141J-102Y	C RESISTOR	1.0K 5% 1/4W	
	R1203	QRE141J-102Y	C RESISTOR	1.0K 5% 1/4W	
	S 500	QSW0812-001	VOLTAGE SWITCH		US,UW
	SP993	E3400-431	SPACER		A
△	T 002	QQT0253-002	POWER TRANS		A

■ Electrical parts list (Front board)

Block No. 03

△	Item	Parts number	Parts name	Remarks	Area	△	Item	Parts number	Parts name	Remarks	Area
	C 233	QFVJ1HJ-104Z	MF CAPACITOR	.10MF 5% 50V			C1021	QDGB1HK-102Y	C CAPACITOR		US,UW
	C 308	EETC1HM-106ZJC	E CAPACITOR				C1022	QDGB1HK-102Y	C CAPACITOR		US,UW
	C 310	EETC1HM-106ZJC	E CAPACITOR				C1023	QDGB1HK-102Y	C CAPACITOR		US,UW
	C 312	EETC1HM-106ZJC	E CAPACITOR				C1034	QFLM1HJ-104Z	M CAPACITOR	.10MF 5% 50V	US,UW
	C 360	EETC1CM-476ZJC	E CAPACITOR				C1035	EETC1AM-107ZJC	E CAPACITOR		US,UW
	C 361	QDYB1CM-103Y	C CAPACITOR				C1036	QCB1HK-101Y	C CAPACITOR	100PF 10% 50V	US,UW
	C 362	EETC1HM-226ZJC	E CAPACITOR				C1037	QDYB1CM-103Y	C CAPACITOR		US,UW
	C 651	QDXB1CM-222Y	C CAPACITOR				C1038	QDXB1CM-472Y	C CAPACITOR		US,UW
	C 652	QDXB1CM-222Y	C CAPACITOR				C1039	QDYB1CM-103Y	C CAPACITOR		US,UW
	C 653	FQCF31HP-473Z	TF CAPACITOR		A		C1040	QDXB1CM-332Y	C CAPACITOR		US,UW
	C 654	FQCF31HP-473Z	TF CAPACITOR		A		C1041	QDYB1CM-103Y	C CAPACITOR		US,UW
	C 732	FQCF31HP-473Z	TF CAPACITOR		A		C1042	EETC1EM-226ZJC	E CAPACITOR		US,UW
	C 733	FQCF31HP-473Z	TF CAPACITOR		A		C1043	QFVJ1HJ-474Z	MF CAPACITOR	.47MF 5% 50V	US,UW
	C 734	QDXB1CM-222Y	C CAPACITOR				C1044	QDYB1CM-103Y	C CAPACITOR		US,UW
	C 735	QDXB1CM-222Y	C CAPACITOR				C1045	QETN1HM-225Z	E CAPACITOR	2.2MF 20% 50V	US,UW
	C 801	FQCF31HP-103Z	D CAPACITOR				C1046	EETC1HM-105ZJC	E CAPACITOR		US,UW
	C 803	QETN0JM-477Z	E CAPACITOR	470MF 20% 6.3V			C1061	QETN1AM-227Z	E CAPACITOR		US,UW
	C 804	QETN0JM-477Z	E CAPACITOR	470MF 20% 6.3V			C1062	EEKC1AM-107ZJC	E CAPACITOR	220MF 20% 10V	US,UW
	C 805	QDGB1HK-102Y	C CAPACITOR				C1063	EEKC1HM-475ZJC	E CAPACITOR		US,UW
	C 808	QCSB1HJ-330Y	C CAPACITOR	33PF 5% 50V			C1064	QCB1HK-151Y	C CAPACITOR	150PF 10% 50V	US,UW
	C 809	QCSB1HJ-330Y	C CAPACITOR	33PF 5% 50V			C1065	QCB1HK-151Y	C CAPACITOR	150PF 10% 50V	US,UW
	C 815	EETC1HM-226ZJC	E CAPACITOR				C1066	QCB1HK-331Y	C CAPACITOR	330PF 10% 50V	US,UW
	C 816	EETC1CM-476ZJC	E CAPACITOR				C1067	QEK1HM-225Z	E CAPACITOR	2.2MF 20% 50V	US,UW
	C 817	EETC1HM-226ZJC	E CAPACITOR				C1068	QEK1HM-224Z	E CAPACITOR	.22MF 20% 50V	US,UW
	C 820	QCZ0205-155Z	ML C CAPACITOR	1.5MF			C1070	QDXB1CM-222Y	C CAPACITOR		
	C 821	QDYB1CM-103Y	C CAPACITOR				D 313	MTZJ8.2B-T2	DIODE		
	C 823	QFVJ1HJ-334Z	M CAPACITOR	.33MF 5% 50V			D 314	MTZJ13B-T2	Z DIODE		
	C 825	QDGB1HK-102Y	C CAPACITOR		A		D 315	MTZJ9.1B-T2	ZENER DIODE		
	C 831	QDYB1CM-103Y	C CAPACITOR				D 360	MTZJ5.1B-T2	ZENER DIODE		
	C 832	QDYB1CM-103Y	C CAPACITOR				D 361	MTZJ11C-T2	Z DIODE		
	C 835	QDGB1HK-102Y	C CAPACITOR				D 362	MTZJ6.8C-T2	Z DIODE		
	C 836	EETC1EM-106ZJC	E CAPACITOR				D 650	1SS133-T2	SI DIODE		
	C 837	EETC1AM-107ZJC	E CAPACITOR				D 725	1SS133-T2	SI DIODE		
	C 838	QDGB1HK-102Y	C CAPACITOR				D 801	1N4003S-T5	SI DIODE		
	C 840	EETC1HM-225ZJC	E CAPACITOR		A		D 802	1SS133-T2	SI DIODE		
	C 862	EETC1HM-226ZJC	E CAPACITOR				D 803	1SS119-02-T2	SI DIODE		
	C 872	EETC1HM-224ZJC	E CAPACITOR				D 804	1SS133-T2	SI DIODE		
	C 873	EETC1HM-224ZJC	E CAPACITOR				D 805	1SS133-T2	SI DIODE		
	C 874	QFLM1HJ-104Z	M CAPACITOR	.10MF 5% 50V			D 806	1SS119-02-T2	SI DIODE		
	C 875	QFLM1HJ-104Z	M CAPACITOR	.10MF 5% 50V			D 807	1N4003S-T5	SI DIODE		
	C 889	EETC1HM-475ZJC	E CAPACITOR				D 812	1SS133-T2	SI DIODE		
	C 935	QDYB1CM-103Y	C CAPACITOR				D 815	MTZJ6.2C-T2	Z DIODE		A
	C 956	QDYB1CM-103Y	C CAPACITOR				D 816	MTZJ6.2C-T2	Z DIODE		A
	C 957	QDYB1CM-103Y	C CAPACITOR				D 831	MTZJ5.1B-T2	ZENER DIODE		
	C 960	QDYB1CM-103Y	C CAPACITOR				D 832	MTZJ5.1B-T2	ZENER DIODE		
	C 961	QDYB1CM-103Y	C CAPACITOR				D 860	1SS133-T2	SI DIODE		
	C 962	QDYB1CM-103Y	C CAPACITOR				D 918	SLA-362LT-T	LED		
	C 963	QDYB1CM-103Y	C CAPACITOR				D 919	SLA-362LT-T	LED		
	CN216	QGB2510K2-10	CONNECTOR				D 920	SLA-362LT-T	LED		
	CN217	QGB2510K2-10	CONNECTOR				D 940	L-914SRD-T	LED		
	CN316	QGF1210G1-09	CONNECTOR				D 941	L-914SRD-T	LED		
	CN860	QGF1205F1-17	CONNECTOR				D 942	L-914SRD-T	LED		
	CN861	QGF1205F1-17	CONNECTOR				D 943	L-914SRD-T	LED		
	CN880	QGF1210G1-22	FFC SOCKET ASSY		A,UP,UY		D 944	L-914SRD-T	LED		
	CN880	QGF1210G1-24	FFC SOCKET ASSY		US,UW		D 945	L-914SRD-T	LED		
	CN890	QGF1205F1-24			US,UW		D 953	L-914SRD-T	LED		
	CN890	QGF1205F1-22			A,UP,UY		D 954	L-914SRD-T	LED		
	CN911	QGD2503F1-07	SOCKET				D 962	SLA-362LT-T	LED		
	C1004	QDGB1HK-102Y	C CAPACITOR				D 964	1SS133-T2	SI DIODE		
	C1005	QDGB1HK-102Y	C CAPACITOR		UP,US		D1003	MTZJ2.4B-T2	Z.DIODE		
	C1005	QDGB1HK-102Y	C CAPACITOR		UW,UY		D1021	MTZJ5.1B-T2	ZENER DIODE		US,UW
	C1006	QDGB1HK-102Y	C CAPACITOR		UW,UY		D1061	1SS133-T2	SI DIODE		US,UW
	C1006	QDGB1HK-102Y	C CAPACITOR		UP,US		D1062	MTZJ2.4B-T2	Z.DIODE		US,UW

## ■ Electrical parts list (Front board)

Block No. 03

△	Item	Parts number	Parts name	Remarks	Area	△	Item	Parts number	Parts name	Remarks	Area
	FL801	QLF0081-001	FL TUBE				Q1023	KRA111M-T	D.TRANSISTOR		US,UW
	FW230	QUM153-11DGZ4	PARA RIBON WIRE				Q1061	2SD2144S/VW-T	TRANSISTOR		US,UW
	FW713	QUM153-33DGZ4	FLAT WIRE				R 151	QRE141J-221Y	C RESISTOR	220 5% 1/4W	
	FW915	QUM027-18Z4Z4	PARA RIBON WIRE				R 233	QRK126J-470X	C RESISTOR	47 5% 1/2W	
△	IC303	KIA7808API	IC				R 234	QRK126J-470X	C RESISTOR	47 5% 1/2W	
△	IC304	KIA7812API	IC			△	R 302	QRJ146J-2R2X	UNF C.RESISTOR	2.2 5% 1/4W	
△	IC305	KIA7809API	IC			△	R 306	ERX12SJR33E	C RESISTOR		
	IC810	MN101C35DEC3	IC			△	R 360	QRZ9042-2R2X	F RESISTOR	2.2 1/0W	
	IC811	BU2092	IC			△	R 361	QRZ9006-4R7X	F RESISTOR	4.7 1/0W	
	IC830	KIA7042AP-T	IC				R 362	QRE141J-331Y	C RESISTOR	330 5% 1/4W	
	IC901	NJM4580L	IC		US,UW		R 363	QRE141J-331Y	C RESISTOR	330 5% 1/4W	
	IC902	BU9253AS	IC		US,UW		R 364	QRE141J-122Y	C RESISTOR	1.2K 5% 1/4W	
	IC951	GP1U271X	RM RECIVER				R 365	QRE141J-201Y	C RESISTOR	200 5% 1/4W	
	J 81	QNB0107-001	SPK.TERMINAL				R 366	QRE141J-201Y	C RESISTOR	200 5% 1/4W	
	JS956	QSW0912-001	ROTALY SWITCH	S/WOOFER VOL			R 367	QRE141J-122Y	C RESISTOR	1.2K 5% 1/4W	
	JS960	QSW0911-001	ROTALY SWITCH	S/MODE VOL			R 368	QRE141J-331Y	C RESISTOR	330 5% 1/4W	
	JS962	QSW0862-001	ROTALY SWITCH	MAIN VOL			R 650	QRJ146J-4R7X	UNF C.RESISTOR	4.7 5% 1/4W	A
	J1001	QNS0183-001	PHONE JACK	HEAD PHONE			R 651	QRJ146J-4R7X	UNF C.RESISTOR	4.7 5% 1/4W	A
	J1021	QNS0184-001	PHONE JACK		US,UW		R 731	QRJ146J-4R7X	UNF C.RESISTOR	4.7 5% 1/4W	A
	J1022	QNS0184-001	PHONE JACK		US,UW		R 732	QRJ146J-4R7X	UNF C.RESISTOR	4.7 5% 1/4W	A
	L 801	QQL29BJ-100Z	INDUCTOR				R 801	QRE141J-331Y	C RESISTOR	330 5% 1/4W	
	L 802	QQL231K-220Y	INDUCTOR				R 807	QRE141J-103Y	C RESISTOR	10K 5% 1/4W	
	L 803	QQL29BJ-100Z	INDUCTOR				R 808	QRE141J-103Y	C RESISTOR	10K 5% 1/4W	
	L 805	QQL29BJ-100Z	INDUCTOR				R 810	QRE141J-103Y	C RESISTOR	10K 5% 1/4W	
	L 806	QQL29BJ-100Z	INDUCTOR				R 811	QRE141J-103Y	C RESISTOR	10K 5% 1/4W	
	L 813	QQR0779-001Z	INDUCTOR				R 812	QRE141J-103Y	C RESISTOR	10K 5% 1/4W	
	L1001	QQL231K-470Y	INDUCTOR		A		R 813	QRE141J-103Y	C RESISTOR	10K 5% 1/4W	
	L1002	QQL231K-470Y	INDUCTOR		A		R 814	QRE141J-562Y	C RESISTOR	5.6K 5% 1/4W	
	L1003	QQL231K-2R2Y	INDUCTOR		UP,US		R 815	QRE141J-563Y	C RESISTOR	56K 5% 1/4W	
	L1003	QQR0779-001Z	INDUCTOR		A		R 816	QRE141J-563Y	C RESISTOR	56K 5% 1/4W	
	L1003	QQL231K-2R2Y	INDUCTOR		UW,UY		R 817	QRE141J-103Y	C RESISTOR	10K 5% 1/4W	
△	Q 360	2SD2395/EF/	TRANSISTOR				R 818	QRE141J-103Y	C RESISTOR	10K 5% 1/4W	
	Q 361	KTC3199/GL/-T	TRANSISTOR				R 819	QRE141J-102Y	C RESISTOR	1.0K 5% 1/4W	
	Q 362	KTC3199/GL/-T	TRANSISTOR				R 820	QRE141J-102Y	C RESISTOR	1.0K 5% 1/4W	
	Q 809	2SD1991A/RS/-T	TRANSISTOR				R 821	QRE141J-103Y	C RESISTOR	10K 5% 1/4W	
	Q 810	2SD1991A/RS/-T	TRANSISTOR				R 822	QRE141J-103Y	C RESISTOR	10K 5% 1/4W	
	Q 811	2SD1991A/RS/-T	TRANSISTOR				R 823	QRE141J-102Y	C RESISTOR	1.0K 5% 1/4W	
	Q 812	2SD1991A/RS/-T	TRANSISTOR				R 824	QRE141J-102Y	C RESISTOR	1.0K 5% 1/4W	
	Q 813	2SD1991A/RS/-T	TRANSISTOR				R 825	QRE141J-104Y	C RESISTOR	100K 5% 1/4W	
	Q 816	2SD1991A/RS/-T	TRANSISTOR				R 826	QRE141J-104Y	C RESISTOR	100K 5% 1/4W	
	Q 817	2SD1991A/RS/-T	TRANSISTOR				R 827	QRE141J-103Y	C RESISTOR	10K 5% 1/4W	
	Q 843	KRA102M-T	D.TRANSISTOR				R 828	QRE141J-103Y	C RESISTOR	10K 5% 1/4W	
	Q 858	2SD1991A/RS/-T	TRANSISTOR				R 829	QRE141J-103Y	C RESISTOR	10K 5% 1/4W	
	Q 860	KTC3199/GL/-T	TRANSISTOR				R 831	QRE141J-104Y	C RESISTOR	100K 5% 1/4W	
	Q 875	KRC102M-T	D.TRANSISTOR				R 832	QRE141J-104Y	C RESISTOR	100K 5% 1/4W	
	Q 877	KRA102M-T	D.TRANSISTOR				R 833	QRE141J-104Y	C RESISTOR	100K 5% 1/4W	
	Q 878	KRC102M-T	D.TRANSISTOR				R 834	QRE141J-104Y	C RESISTOR	100K 5% 1/4W	
	Q 879	2SD1991A/RS/-T	TRANSISTOR				R 835	QRE141J-104Y	C RESISTOR	100K 5% 1/4W	
	Q 890	2SD1991A/RS/-T	TRANSISTOR				R 836	QRE141J-104Y	C RESISTOR	100K 5% 1/4W	
	Q 905	KRC104M-T	D.TRANSISTOR				R 837	QRE141J-104Y	C RESISTOR	100K 5% 1/4W	
	Q 906	KRC104M-T	D.TRANSISTOR				R 838	QRE141J-102Y	C RESISTOR	1.0K 5% 1/4W	
	Q 907	KRC102M-T	D.TRANSISTOR				R 839	QRE141J-102Y	C RESISTOR	1.0K 5% 1/4W	
	Q 908	KRA102M-T	D.TRANSISTOR				R 840	QRE141J-103Y	C RESISTOR	10K 5% 1/4W	
	Q 918	KRC102M-T	D.TRANSISTOR				R 841	QRE141J-103Y	C RESISTOR	10K 5% 1/4W	
	Q 919	KRC102M-T	D.TRANSISTOR				R 842	QRE141J-103Y	C RESISTOR	10K 5% 1/4W	
	Q 920	KRC102M-T	D.TRANSISTOR				R 844	QRE141J-102Y	C RESISTOR	1.0K 5% 1/4W	
	Q 940	KTA1267/YG/-T	TRANSISTOR				R 845	QRE141J-102Y	C RESISTOR	1.0K 5% 1/4W	
	Q 941	KTA1267/YG/-T	TRANSISTOR				R 846	QRE141J-102Y	C RESISTOR	1.0K 5% 1/4W	
	Q 953	KTA1267/YG/-T	TRANSISTOR				R 847	QRE141J-102Y	C RESISTOR	1.0K 5% 1/4W	
	Q 954	KTA1267/YG/-T	TRANSISTOR				R 848	QRE141J-331Y	C RESISTOR	330 5% 1/4W	
	Q 961	KRA102M-T	D.TRANSISTOR				R 849	QRE141J-102Y	C RESISTOR	1.0K 5% 1/4W	
	Q1021	KRA111M-T	D.TRANSISTOR		US,UW		R 850	QRE141J-102Y	C RESISTOR	1.0K 5% 1/4W	
	Q1022	KRA111M-T	D.TRANSISTOR		US,UW		R 851	QRE141J-102Y	C RESISTOR	1.0K 5% 1/4W	

## ■ Electrical parts list (Front board)

Block No. 03

△	Item	Parts number	Parts name	Remarks	Area	△	Item	Parts number	Parts name	Remarks	Area
	R 854	QRE141J-102Y	C RESISTOR	1.0K 5% 1/4W			R 943	QRE141J-103Y	C RESISTOR	10K 5% 1/4W	
	R 855	QRE141J-102Y	C RESISTOR	1.0K 5% 1/4W			R 944	QRE141J-562Y	C RESISTOR	5.6K 5% 1/4W	
	R 856	QRE141J-104Y	C RESISTOR	100K 5% 1/4W			R 945	QRE141J-392Y	C RESISTOR	3.9K 5% 1/4W	
	R 857	QRE141J-104Y	C RESISTOR	100K 5% 1/4W			R 946	QRE141J-272Y	C RESISTOR	2.7K 5% 1/4W	
	R 858	QRE141J-104Y	C RESISTOR	100K 5% 1/4W			R 947	QRE141J-222Y	C RESISTOR	2.2K 5% 1/4W	
	R 859	QRE141J-104Y	C RESISTOR	100K 5% 1/4W			R 948	QRE141J-152Y	C RESISTOR	1.5K 5% 1/4W	
	R 860	QRE141J-684Y	C RESISTOR	680K 5% 1/4W			R 949	QRE141J-122Y	C RESISTOR	1.2K 5% 1/4W	
	R 861	QRE141J-103Y	C RESISTOR	10K 5% 1/4W			R 950	QRE141J-102Y	C RESISTOR	1.0K 5% 1/4W	
	R 862	QRE141J-220Y	C RESISTOR	22 5% 1/4W			R 951	QRE141J-202Y	C RESISTOR	2.0K 5% 1/4W	
	R 864	QRE141J-103Y	C RESISTOR	10K 5% 1/4W			R 952	QRE141J-122Y	C RESISTOR	1.2K 5% 1/4W	
	R 865	QRE141J-104Y	C RESISTOR	100K 5% 1/4W			R 953	QRE141J-680Y	C RESISTOR	68 5% 1/4W	
	R 866	QRE141J-104Y	C RESISTOR	100K 5% 1/4W			R 954	QRE141J-680Y	C RESISTOR	68 5% 1/4W	
	R 867	QRE141J-104Y	C RESISTOR	100K 5% 1/4W			R 955	QRE141J-152Y	C RESISTOR	1.5K 5% 1/4W	
	R 868	QRE141J-104Y	C RESISTOR	100K 5% 1/4W			R 961	QRE141J-101Y	C RESISTOR	100 5% 1/4W	
	R 869	QRE141J-104Y	C RESISTOR	100K 5% 1/4W			R 962	QRE141J-103Y	C RESISTOR	10K 5% 1/4W	
	R 870	QRE141J-104Y	C RESISTOR	100K 5% 1/4W			R 963	QRE141J-562Y	C RESISTOR	5.6K 5% 1/4W	
	R 871	QRE141J-104Y	C RESISTOR	100K 5% 1/4W			R 964	QRE141J-392Y	C RESISTOR	3.9K 5% 1/4W	
	R 872	QRE141J-104Y	C RESISTOR	100K 5% 1/4W			R 965	QRE141J-103Y	C RESISTOR	10K 5% 1/4W	
	R 873	QRE141J-104Y	C RESISTOR	100K 5% 1/4W			R 969	QRE141J-680Y	C RESISTOR	68 5% 1/4W	
	R 874	QRE141J-104Y	C RESISTOR	100K 5% 1/4W			R 970	QRE141J-101Y	C RESISTOR	100 5% 1/4W	
	R 876	QRE141J-103Y	C RESISTOR	10K 5% 1/4W			R 980	QRE141J-100Y	C RESISTOR	10 5% 1/4W	A,UP,UY
	R 879	QRE141J-104Y	C RESISTOR	100K 5% 1/4W			R 991	QRE141J-202Y	C RESISTOR	2.0K 5% 1/4W	
	R 880	QRE141J-104Y	C RESISTOR	100K 5% 1/4W			R 992	QRE141J-202Y	C RESISTOR	2.0K 5% 1/4W	
	R 881	QRE141J-103Y	C RESISTOR	10K 5% 1/4W			R 993	QRE141J-122Y	C RESISTOR	1.2K 5% 1/4W	
	R 882	QRE141J-103Y	C RESISTOR	10K 5% 1/4W			R 994	QRE141J-753Y	C RESISTOR	75K 5% 1/4W	UP,US
	R 883	QRE141J-103Y	C RESISTOR	10K 5% 1/4W			R 994	QRE141J-334Y	C RESISTOR	330K 5% 1/4W	A
	R 884	QRE141J-102Y	C RESISTOR	1.0K 5% 1/4W			R 994	QRE141J-753Y	C RESISTOR	75K 5% 1/4W	UW,UY
	R 885	QRE141J-221Y	C RESISTOR	220 5% 1/4W			R 995	QRE141J-222Y	C RESISTOR	2.2K 5% 1/4W	
	R 886	QRE141J-221Y	C RESISTOR	220 5% 1/4W			R 996	QRE141J-272Y	C RESISTOR	2.7K 5% 1/4W	
	R 887	QRE141J-221Y	C RESISTOR	220 5% 1/4W			R 997	QRE141J-152Y	C RESISTOR	1.5K 5% 1/4W	
	R 888	QRE141J-221Y	C RESISTOR	220 5% 1/4W			R 998	QRE141J-102Y	C RESISTOR	1.0K 5% 1/4W	
	R 889	QRE141J-221Y	C RESISTOR	220 5% 1/4W			RA801	QRB169J-104	R.NETWORK	100K 5% 1/6W	
	R 890	QRE141J-104Y	C RESISTOR	100K 5% 1/4W			RA802	QRB169J-104	R.NETWORK	100K 5% 1/6W	
	R 891	QRE141J-104Y	C RESISTOR	100K 5% 1/4W			RY 1	QSK0109-001	RELAY		
	R 893	QRE141J-102Y	C RESISTOR	1.0K 5% 1/4W			RY 2	QSK0109-001	RELAY		
	R 894	QRE141J-334Y	C RESISTOR	330K 5% 1/4W	US,UW		R1021	QRE141J-472Y	C RESISTOR	4.7K 5% 1/4W	US,UW
	R 894	QRE141J-334Y	C RESISTOR	330K 5% 1/4W	A,UP		R1022	QRE141J-472Y	C RESISTOR	4.7K 5% 1/4W	US,UW
	R 894	QRE141J-183Y	C RESISTOR	18K 5% 1/4W	UY		R1031	QRE141J-203Y	C RESISTOR	20K 5% 1/4W	US,UW
	R 895	QRE141J-102Y	C RESISTOR	1.0K 5% 1/4W			R1032	QRE141J-203Y	C RESISTOR	20K 5% 1/4W	US,UW
	R 897	QRE141J-753Y	C RESISTOR	75K 5% 1/4W			R1033	QRE141J-822Y	C RESISTOR	8.2K 5% 1/4W	US,UW
	R 902	QRE141J-103Y	C RESISTOR	10K 5% 1/4W			R1034	QRE141J-103Y	C RESISTOR	10K 5% 1/4W	US,UW
	R 905	QRE141J-104Y	C RESISTOR	100K 5% 1/4W			R1035	QRE141J-333Y	C RESISTOR	33K 5% 1/4W	US,UW
	R 906	QRE141J-104Y	C RESISTOR	100K 5% 1/4W			R1037	QRE141J-153Y	C RESISTOR	15K 5% 1/4W	US,UW
	R 911	QRE141J-102Y	C RESISTOR	1.0K 5% 1/4W			R1038	QRE141J-472Y	C RESISTOR	4.7K 5% 1/4W	US,UW
	R 912	QRE141J-103Y	C RESISTOR	10K 5% 1/4W			R1039	QRE141J-103Y	C RESISTOR	10K 5% 1/4W	US,UW
	R 916	QRE141J-102Y	C RESISTOR	1.0K 5% 1/4W			R1040	QRE141J-272Y	C RESISTOR	2.7K 5% 1/4W	US,UW
	R 917	QRE141J-102Y	C RESISTOR	1.0K 5% 1/4W			R1041	QRE141J-203Y	C RESISTOR	20K 5% 1/4W	US,UW
	R 918	QRE141J-201Y	C RESISTOR	200 5% 1/4W			R1042	QRE141J-221Y	C RESISTOR	220 5% 1/4W	US,UW
	R 919	QRE141J-201Y	C RESISTOR	200 5% 1/4W			R1043	QRE141J-203Y	C RESISTOR	20K 5% 1/4W	US,UW
	R 920	QRE141J-201Y	C RESISTOR	200 5% 1/4W			R1044	QRE141J-562Y	C RESISTOR	5.6K 5% 1/4W	US,UW
	R 921	QRE141J-334Y	C RESISTOR	330K 5% 1/4W			R1045	QRE141J-102Y	C RESISTOR	1.0K 5% 1/4W	US,UW
	R 930	QRE141J-103Y	C RESISTOR	10K 5% 1/4W			R1061	QRE141J-103Y	C RESISTOR	10K 5% 1/4W	US,UW
	R 931	QRE141J-222Y	C RESISTOR	2.2K 5% 1/4W			R1062	QRE141J-123Y	C RESISTOR	12K 5% 1/4W	US,UW
	R 932	QRE141J-272Y	C RESISTOR	2.7K 5% 1/4W			R1063	QRE141J-391Y	C RESISTOR	390 5% 1/4W	US,UW
	R 933	QRE141J-392Y	C RESISTOR	3.9K 5% 1/4W			R1064	QRE141J-152Y	C RESISTOR	1.5K 5% 1/4W	US,UW
	R 935	QRE141J-562Y	C RESISTOR	5.6K 5% 1/4W			R1065	QRE141J-101Y	C RESISTOR	100 5% 1/4W	US,UW
	R 936	QRE141J-122Y	C RESISTOR	1.2K 5% 1/4W			R1066	QRE141J-475Y	C RESISTOR	4.7M 5% 1/4W	US,UW
	R 937	QRE141J-152Y	C RESISTOR	1.5K 5% 1/4W			R1067	QRE141J-560Y	C RESISTOR	56 5% 1/4W	US,UW
	R 938	QRE141J-222Y	C RESISTOR	2.2K 5% 1/4W			R1068	QRE141J-203Y	C RESISTOR	20K 5% 1/4W	US,UW
	R 939	QRE141J-272Y	C RESISTOR	2.7K 5% 1/4W			R1069	QRE141J-102Y	C RESISTOR	1.0K 5% 1/4W	US,UW
	R 940	QRE141J-680Y	C RESISTOR	68 5% 1/4W			R1070	QRE141J-561Y	C RESISTOR	560 5% 1/4W	US,UW
	R 941	QRE141J-680Y	C RESISTOR	68 5% 1/4W			R1071	QRE141J-472Y	C RESISTOR	4.7K 5% 1/4W	US,UW
	R 942	QRE141J-392Y	C RESISTOR	3.9K 5% 1/4W			S 915	QSW0674-001Z	TACT SWITCH	DISC 1	

## ■ Electrical parts list (Front board)

Block No. 03

△	Item	Parts number	Parts name	Remarks	Area
	S 916	QSW0674-001Z	TACT SWITCH		
	S 917	QSW0674-001Z	TACT SWITCH		
	S 931	QSW0674-001Z	TACT SWITCH	DUBBING	
	S 932	QSW0674-001Z	TACT SWITCH		
	S 933	QSW0674-001Z	TACT SWITCH		
	S 935	QSW0674-001Z	TACT SWITCH		
	S 936	QSW0674-001Z	TACT SWITCH		
	S 937	QSW0674-001Z	TACT SWITCH		
	S 938	QSW0674-001Z	TACT SWITCH		
	S 939	QSW0674-001Z	TACT SWITCH		
	S 942	QSW0674-001Z	TACT SWITCH		
	S 943	QSW0674-001Z	TACT SWITCH		
	S 948	QSW0674-001Z	TACT SWITCH		
	S 949	QSW0674-001Z	TACT SWITCH		
	S 950	QSW0674-001Z	TACT SWITCH		
	S 951	QSW0674-001Z	TACT SWITCH		
	S 952	QSW0674-001Z	TACT SWITCH		
	S 963	QSW0674-001Z	TACT SWITCH		
	S 964	QSW0674-001Z	TACT SWITCH		
	S 995	QSW0674-001Z	TACT SWITCH		
	S 996	QSW0674-001Z	TACT SWITCH		
	S 997	QSW0674-001Z	TACT SWITCH		
	S 998	QSW0674-001Z	TACT SWITCH		
	S 999	QSW0674-001Z	TACT SWITCH		
	SP801	VYH7653-001	IC HOLDER		
	VR901	QVQ0299-B54	V.RES		US,UW
	X 801	QAX0283-001Z	RESONATOR		

■ Electrical parts list (Tuner board) Ver.A

Block No. 04

△	Item	Parts number	Parts name	Remarks	Area
	C 1	NCB21HK-223X	C CAPACITOR		
	C 2	NCB21HK-103X	C CAPACITOR		
	C 3	EETC1CM-106ZJC	E CAPACITOR		
	C 4	NCB21HK-103X	C CAPACITOR		
	C 6	NCB21HK-222X	C CAPACITOR		
	C 7	NCB21HK-102X	C CAPACITOR		
	C 8	NCB21HK-102X	C CAPACITOR		
	C 9	NCB21HK-102X	C CAPACITOR		
	C 10	NCS21HJ-120X	C CAPACITOR		
	C 11	NCB21HK-104X	C CAPACITOR		
	C 12	NCB21HK-473X	C CAPACITOR		
	C 13	NCS21HJ-120X	C CAPACITOR		
	C 14	EEKC1AM-107ZJC	E CAPACITOR		
	C 15	NCS21HJ-120X	C CAPACITOR		
	C 16	NCS21HJ-120X	C CAPACITOR		
	C 17	NCB21HK-392X	C CAPACITOR		
	C 18	QE061HM-474Z	N.P.E.CAPACITOR	.47MF 20% 50V	
	C 19	NCB21HK-473X	C CAPACITOR		
	C 20	NCB21HK-102X	C CAPACITOR		
	C 21	NCB21HK-223X	C CAPACITOR		
	C 22	NCS21HJ-151X	C CAPACITOR		
	C 23	NCS21HJ-151X	C CAPACITOR		
	C 24	NCS21HJ-151X	C CAPACITOR		
	C 25	EEKC1AM-107ZJC	E CAPACITOR		
	C 26	NCB21HK-103X	C CAPACITOR		
	C 27	NCB21HK-103X	C CAPACITOR		
	C 30	EEKC1CM-107ZJC	E CAPACITOR		
	C 31	EEKC1CM-226ZJC	E CAPACITOR		
	C 32	NCB21HK-473X	C CAPACITOR		
	C 33	NCB21HK-473X	C CAPACITOR		
	C 34	NCB21HK-223X	C CAPACITOR		
	C 35	NCB21HK-473X	C CAPACITOR		
	C 36	EEKC1HM-105ZJC	E CAPACITOR		
	C 37	EEKC1HM-105ZJC	E CAPACITOR		
	C 38	EETC1HM-224ZJC	E CAPACITOR		
	C 39	EETC1HM-105ZJC	E CAPACITOR		
	C 40	QETN1CM-106Z	E CAPACITOR	10MF 20% 16V	
	C 41	QETN1CM-106Z	E CAPACITOR	10MF 20% 16V	
	C 42	NCB21HK-182X	C CAPACITOR		
	C 43	NCB21HK-182X	C CAPACITOR		
	C 44	QETN1CM-106Z	E CAPACITOR	10MF 20% 16V	
	C 45	QETN1CM-106Z	E CAPACITOR	10MF 20% 16V	
	C 46	NCB21HK-223X	C CAPACITOR		
	C 47	EETC1HM-105ZJC	E CAPACITOR		
	C 48	NCB21HK-222X	C CAPACITOR		
	C 49	NCS21HJ-471X	C CAPACITOR		
	C 50	EEKC1CM-226ZJC	E CAPACITOR		
	C 51	EEKC1HM-105ZJC	E CAPACITOR		
	C 52	QFVJ1HJ-274Z	MF CAPACITOR	.27MF 5% 50V	
	C 53	EETC1CM-226ZJC	E CAPACITOR		
	C 54	NCB21HK-473X	C CAPACITOR		
	C 55	NCS21HJ-330X	C CAPACITOR		
	C 56	NCS21HJ-100X	C CAPACITOR		
	C 57	NCB21HK-102X	C CAPACITOR		
	C 58	NCB21HK-473X	C CAPACITOR		
	C 59	NCB21HK-102X	C CAPACITOR		
	CF 1	QAX0420-001	C FILTER		
	CF 2	QAX0458-001Z	C FILTER		
	CF 3	QAX0610-001Z	C DISCRIMINATOR		
	CN 1	QGF1205F1-09	CONNECTOR		
	D 1	1SS133-T2	SI DIODE		
	D 2	1SS133-T2	SI DIODE		
	D 3	1SS133-T2	SI DIODE		

△	Item	Parts number	Parts name	Remarks	Area
	D 4	1SS133-T2	SI DIODE		
	D 11	1SS133-T2	SI DIODE		
	IC 1	LA1838	IC		
	IC 2	LC72136N	IC		
	J 1	QNB0014-001	ANT TERMINAL		
	L 1	QQR1094-001	COIL BLOCK		
	L 2	QQL231K-330Y	INDUCTOR		
	L 3	QQL231K-4R7Y	INDUCTOR		
	Q 1	2SC2814/4-5/-X	TRANSISTOR		
	Q 2	2SC1623/5-6/-X	TRANSISTOR		
	Q 3	2SC1623/5-6/-X	TRANSISTOR		
	Q 4	DTA114YKA-X	TRANSISTOR		
	Q 5	DTA114YKA-X	TRANSISTOR		
	R 2	NRSA02J-331X	MG RESISTOR		
	R 3	NRSA02J-224X	MG RESISTOR		
	R 4	NRSA02J-331X	MG RESISTOR		
	R 5	NRSA02J-560X	MG RESISTOR		
	R 6	NRSA02J-120X	MG RESISTOR		
	R 10	NRSA02J-222X	MG RESISTOR		
	R 11	NRSA02J-472X	MG RESISTOR		
	R 12	NRSA02J-472X	MG RESISTOR		
	R 13	NRSA02J-103X	MG RESISTOR		
	R 14	NRSA02J-104X	MG RESISTOR		
	R 15	NRSA02J-332X	MG RESISTOR		
	R 16	NRSA02J-472X	MG RESISTOR		
△	R 17	QRZ9005-680X	F.RESISTOR	68 1/4W	
	R 18	NRSA02J-102X	MG RESISTOR		
	R 19	NRSA02J-102X	MG RESISTOR		
	R 20	NRSA02J-102X	MG RESISTOR		
	R 21	NRSA02J-562X	MG RESISTOR		
	R 22	NRSA02J-472X	MG RESISTOR		
	R 23	NRSA02J-182X	MG RESISTOR		
	R 24	NRSA02J-103X	MG RESISTOR		
	R 25	NRSA02J-331X	MG RESISTOR		
	R 26	NRSA02J-222X	MG RESISTOR		
	R 27	NRSA02J-103X	MG RESISTOR		
	R 28	NRSA02J-103X	MG RESISTOR		
	R 29	NRSA02J-103X	MG RESISTOR		
	R 30	NRSA02J-122X	MG RESISTOR		
	R 31	NRSA02J-102X	MG RESISTOR		
	R 32	NRSA02J-102X	MG RESISTOR		
	R 33	NRSA02J-331X	MG RESISTOR		
	R 34	NRSA02J-470X	MG RESISTOR		
	R 35	NRSA02J-562X	MG RESISTOR		
	R 36	NRSA02J-332X	MG RESISTOR		
	R 37	NRSA02J-103X	MG RESISTOR		
	R 38	NRSA02J-393X	MG RESISTOR		
	R 39	NRSA02J-393X	MG RESISTOR		
	R 40	NRSA02J-393X	MG RESISTOR		
	R 41	NRSA02J-332X	MG RESISTOR		
	R 60	NRSA02J-0R0X	MG RESISTOR		
	T 1	QQR0793-001	IFT		
	TU 1	QAU0160-001	FRONT END		
	X 1	QAX0402-001	CRYSTAL		

**■ Electrical parts list (Tuner board) Ver.UP/US/UW/UY Block No. 05**

△	Item	Parts number	Parts name	Remarks	Area
	C 1	NCB21HK-223X	C CAPACITOR		
	C 2	NCB21HK-103X	C CAPACITOR		
	C 3	EETC1CM-106ZJC	E CAPACITOR		
	C 4	NCB21HK-103X	C CAPACITOR		
	C 6	NCB21HK-102X	C CAPACITOR		
	C 7	NCB21HK-102X	C CAPACITOR		
	C 8	NCB21HK-102X	C CAPACITOR		
	C 10	NRSA02J-0R0X	MG RESISTOR		
	C 11	NCB21HK-104X	C CAPACITOR		
	C 12	NCB21HK-473X	C CAPACITOR		
	C 13	NCS21HJ-120X	C CAPACITOR		
	C 14	EEKC1AM-107ZJC	E CAPACITOR		
	C 15	NCS21HJ-120X	C CAPACITOR		
	C 16	NCS21HJ-120X	C CAPACITOR		
	C 17	NCB21HK-392X	C CAPACITOR		
	C 18	QEQ61HM-474Z	N.P.E.CAPACITOR	.47MF 20% 50V	
	C 19	NCB21HK-473X	C CAPACITOR		
	C 20	NCB21HK-102X	C CAPACITOR		
	C 21	NCB21HK-223X	C CAPACITOR		
	C 22	NCS21HJ-151X	C CAPACITOR		
	C 23	NCS21HJ-151X	C CAPACITOR		
	C 24	NCS21HJ-151X	C CAPACITOR		
	C 25	EEKC1AM-107ZJC	E CAPACITOR		
	C 26	NCB21HK-102X	C CAPACITOR		
	C 27	NCB21HK-102X	C CAPACITOR		
	C 30	EEKC1CM-107ZJC	E CAPACITOR		
	C 31	EEKC1CM-226ZJC	E CAPACITOR		
	C 32	NCB21HK-473X	C CAPACITOR		
	C 33	NCB21HK-473X	C CAPACITOR		
	C 34	NCB21HK-223X	C CAPACITOR		
	C 35	NCB21HK-473X	C CAPACITOR		
	C 36	EEKC1HM-105ZJC	E CAPACITOR		
	C 37	EEKC1HM-105ZJC	E CAPACITOR		
	C 38	EETC1HM-224ZJC	E CAPACITOR		
	C 39	EETC1HM-105ZJC	E CAPACITOR		
	C 40	QETN1CM-106Z	E CAPACITOR	10MF 20% 16V	
	C 41	QETN1CM-106Z	E CAPACITOR	10MF 20% 16V	
	C 42	NCB21HK-152X	C CAPACITOR		
	C 43	NCB21HK-152X	C CAPACITOR		
	C 44	QETN1CM-106Z	E CAPACITOR	10MF 20% 16V	
	C 45	QETN1CM-106Z	E CAPACITOR	10MF 20% 16V	
	C 46	NCB21HK-273X	C CAPACITOR		
	C 47	EETC1HM-105ZJC	E CAPACITOR		
	C 48	NCB21HK-222X	C CAPACITOR		
	C 49	NCS21HJ-471X	C CAPACITOR		
	C 50	EEKC1CM-226ZJC	E CAPACITOR		
	C 51	EEKC1HM-105ZJC	E CAPACITOR		
	C 52	QFVJ1HJ-274Z	MF CAPACITOR	.27MF 5% 50V	
	C 53	EETC1CM-226ZJC	E CAPACITOR		
	C 54	NCB21HK-473X	C CAPACITOR		
	C 57	NCB21HK-102X	C CAPACITOR		
	C 58	NCB21HK-473X	C CAPACITOR		
	C 59	NCB21HK-102X	C CAPACITOR		
	CF 1	VCF2L3B-105Z	CERAMIC FILTER		
	CF 2	VCF2L3B-105Z	CERAMIC FILTER		
	CF 3	QAX0610-001Z	C DISCRIMINATOR		
	CN 1	QGF1205F1-09	CONNECTOR		
	D 1	1SS133-T2	SI DIODE		
	D 2	1SS133-T2	SI DIODE		
	D 3	1SS133-T2	SI DIODE		
	D 4	1SS133-T2	SI DIODE		
	D 11	1SS133-T2	SI DIODE		
	IC 1	LA1838	IC		

△	Item	Parts number	Parts name	Remarks	Area
	IC 2	LC72136N	IC		
	J 1	QNB0014-001	ANT TERMINAL		
	L 1	QQR0796-002	COIL BLOCK		
	Q 1	2SC2814/4-5/-X	TRANSISTOR		
	Q 5	DTA114YKA-X	TRANSISTOR		
	R 1	QRE141J-560Y	C RESISTOR	56 5% 1/4W	
	R 2	NRSA02J-331X	MG RESISTOR		
	R 3	NRSA02J-224X	MG RESISTOR		
	R 4	NRSA02J-331X	MG RESISTOR		
	R 5	NRSA02J-560X	MG RESISTOR		
	R 6	NRSA02J-240X	MG RESISTOR		
	R 10	NRSA02J-222X	MG RESISTOR		
	R 13	NRSA02J-103X	MG RESISTOR		
	R 14	NRSA02J-104X	MG RESISTOR		
	R 15	NRSA02J-332X	MG RESISTOR		
	R 16	NRSA02J-472X	MG RESISTOR		
△	R 17	QRZ9005-680X	MG RESISTOR	68 1/4W	
	R 18	NRSA02J-102X	MG RESISTOR		
	R 19	NRSA02J-102X	MG RESISTOR		
	R 20	NRSA02J-102X	MG RESISTOR		
	R 21	NRSA02J-562X	MG RESISTOR		
	R 22	NRSA02J-472X	MG RESISTOR		
	R 23	NRSA02J-182X	MG RESISTOR		
	R 24	NRSA02J-103X	MG RESISTOR		
	R 25	NRSA02J-331X	MG RESISTOR		
	R 26	NRSA02J-222X	MG RESISTOR		
	R 27	NRSA02J-103X	MG RESISTOR		
	R 28	NRSA02J-103X	MG RESISTOR		
	R 29	NRSA02J-103X	MG RESISTOR		
	R 30	NRSA02J-122X	MG RESISTOR		
	R 31	NRSA02J-102X	MG RESISTOR		
	R 32	NRSA02J-102X	MG RESISTOR		
	R 33	NRSA02J-331X	MG RESISTOR		
	R 34	NRSA02J-470X	MG RESISTOR		
	R 35	NRSA02J-562X	MG RESISTOR		
	R 36	NRSA02J-332X	MG RESISTOR		
	R 37	NRSA02J-103X	MG RESISTOR		
	R 38	NRSA02J-563X	MG RESISTOR		
	R 39	NRSA02J-563X	MG RESISTOR		
	R 40	NRSA02J-243X	MG RESISTOR		
	R 41	NRSA02J-332X	MG RESISTOR		
	R 60	NRSA02J-0R0X	MG RESISTOR		
	T 1	QQR0793-001	IFT		
	TU 1	QAU0161-001	FRONT END		
	X 1	QAX0402-001	CRYSTAL		



## ■ Electrical parts list (CD servo board)

Block No. 06

△	Item	Parts number	Parts name	Remarks	Area	△	Item	Parts number	Parts name	Remarks	Area
	C 251	NCS21HJ-100X	C CAPACITOR				C 821	NCF21CZ-105X	C CAPACITOR		
	C 252	NCS21HJ-100X	C CAPACITOR				C 822	QERF1AM-227Z	E CAPACITOR	220MF 20% 10V	
	C 253	NCB21EK-104X	C CAPACITOR				C 852	QERF1CM-106Z	E CAPACITOR	10MF 20% 16V	
	C 254	QERF1AM-476Z	E CAPACITOR	47MF 20% 10V			C 853	NCB21HK-103X	C CAPACITOR		
	C 291	QERF1AM-476Z	E CAPACITOR	47MF 20% 10V			C 854	NCB21HK-103X	C CAPACITOR		
	C 601	NCB21HK-102X	C CAPACITOR				C 855	NCB21EK-104X	C CAPACITOR		
	C 602	NCB21HK-102X	C CAPACITOR				C 859	NCF21CZ-105X	C CAPACITOR		
	C 603	NCB21HK-223X	C CAPACITOR				C 860	NCF21CZ-105X	C CAPACITOR		
	C 604	NCB21HK-223X	C CAPACITOR				CN601	QGF1016F3-15	15FFC CONNECTOR		
	C 605	NCS21HJ-151X	C CAPACITOR				CN651	QGF1016F3-19	CONNECTOR		
	C 606	NCS31HJ-560X	C CAPACITOR				CN801	QGA2001C1-06	6P PLUG ASSY		
	C 608	NCS21HJ-821X	C CAPACITOR				CN854	QGB2016K1-07	CONNECTOR		
	C 610	NCB21EK-273X	C CAPACITOR				CN855	QGB2012K2-10	CONNECTOR		
	C 612	QERF1HM-105Z	E CAPACITOR	1.0MF 20% 50V			D 851	MTZJ5.6B-T2	ZENER DIODE		
	C 613	NCB21EK-104X	C CAPACITOR				IC251	UPD780024AGKB25	IC		
	C 614	NCB21HK-273X	C CAPACITOR				IC601	AN22000A	IC		
	C 615	NCB21HK-472X	C CAPACITOR				IC651	MN662748RPM	IC		
	C 616	NCB21HK-103X	C CAPACITOR				IC652	BA15218F-XE	IC		
	C 617	NCS21HJ-331X	C CAPACITOR				IC801	LA6541-X	IC		
	C 620	NCS21HJ-470X	C CAPACITOR				IC851	LB1641	IC		
	C 621	NCB21CK-105X	C CAPACITOR				IC852	LB1641	IC		
	C 622	NCB21EK-473X	C CAPACITOR				L 851	QLL01BK-100Z	INDUCTOR		
	C 623	NCF21CZ-105X	C CAPACITOR				L 853	QLL01BK-100Z	INDUCTOR		
	C 624	QERF0JM-107Z	E CAPACITOR	100MF 20% 6.3V			L 854	QLL01BK-100Z	INDUCTOR		
	C 631	QERF1CM-106Z	E CAPACITOR	10MF 20% 16V			Q 291	2SB1357/EF/-T	TRANSISTOR		
	C 632	NCF21CZ-105X	C CAPACITOR				Q 631	2SA1037AK/RS/-X	TRANSISTOR		
	C 633	NCB21HK-223X	C CAPACITOR				R 253	NRSA02J-102X	MG RESISTOR		
	C 641	NCB21HK-223X	C CAPACITOR				R 254	NRSA02J-102X	MG RESISTOR		
	C 642	NCB21HK-222X	C CAPACITOR				R 255	NRSA02J-102X	MG RESISTOR		
	C 651	NCS21HJ-120X	C CAPACITOR				R 256	NRSA02J-102X	MG RESISTOR		
	C 652	NCS21HJ-120X	C CAPACITOR				R 257	NRSA02J-102X	MG RESISTOR		
	C 653	NCB21EK-104X	C CAPACITOR				R 258	NRSA02J-102X	MG RESISTOR		
	C 655	NCB21EK-104X	C CAPACITOR				R 260	NRSA02J-222X	MG RESISTOR		
	C 656	NCB21EK-104X	C CAPACITOR				R 261	NRSA02J-223X	MG RESISTOR		
	C 657	QERF1AM-227Z	E CAPACITOR	220MF 20% 10V			R 262	NRSA02J-223X	MG RESISTOR		
	C 658	NCB21EK-104X	C CAPACITOR				R 263	NRSA02J-223X	MG RESISTOR		
	C 661	NCS21HJ-471X	C CAPACITOR				R 264	NRSA02J-223X	MG RESISTOR		
	C 663	NCB21HK-223X	C CAPACITOR				R 265	NRSA02J-223X	MG RESISTOR		
	C 664	NCB21HK-223X	C CAPACITOR				R 274	NRSA02J-102X	MG RESISTOR		
	C 665	NCB21CK-154X	C CAPACITOR				R 275	NRSA02J-102X	MG RESISTOR		
	C 667	NCB21CK-105X	C CAPACITOR				R 276	NRSA02J-102X	MG RESISTOR		
	C 668	NCB21EK-473X	C CAPACITOR				R 277	NRSA02J-102X	MG RESISTOR		
	C 669	QERF1AM-227Z	E CAPACITOR	220MF 20% 10V			R 280	NRSA02J-102X	MG RESISTOR		
	C 672	NCB21CK-334X	C CAPACITOR				R 281	NRSA02J-102X	MG RESISTOR		
	C 673	QERF1AM-227Z	E CAPACITOR	220MF 20% 10V			R 284	NRSA02J-102X	MG RESISTOR		
	C 676	NCB21EK-104X	C CAPACITOR				R 288	NRSA02J-102X	MG RESISTOR		
	C 677	NCB21EK-104X	C CAPACITOR				R 289	NRSA02J-102X	MG RESISTOR		
	C 679	QERF0JM-107Z	E CAPACITOR	100MF 20% 6.3V			R 290	NRSA02J-102X	MG RESISTOR		
	C 680	NCB21EK-104X	C CAPACITOR				R 291	NRSA02J-122X	MG RESISTOR		
	C 691	NCS21HJ-391X	C CAPACITOR				R 292	NRSA02J-103X	MG RESISTOR		
	C 692	NCS21HJ-391X	C CAPACITOR				R 294	NRSA02J-102X	MG RESISTOR		
	C 693	NCB21HK-682X	C CAPACITOR				R 601	NRSA02J-224X	MG RESISTOR		
	C 694	NCB21HK-682X	C CAPACITOR				R 602	NRSA02J-274X	MG RESISTOR		
	C 695	NCB21HK-473X	C CAPACITOR				R 603	NRSA02J-124X	MG RESISTOR		
	C 696	QERF1CM-106Z	E CAPACITOR	10MF 20% 16V			R 604	NRSA02J-274X	MG RESISTOR		
	C 699	QERF1AM-227Z	E CAPACITOR	220MF 20% 10V			R 606	NRSA02J-623X	MG RESISTOR		
	C 801	NCB21HK-682X	C CAPACITOR				R 607	NRSA02J-0R0X	MG RESISTOR		
	C 802	NCB21HK-123X	C CAPACITOR				R 608	NRSA02J-0R0X	MG RESISTOR		
	C 811	NCS21HJ-391X	C CAPACITOR				R 609	NRSA02J-332X	MG RESISTOR		
	C 812	NCS21HJ-391X	C CAPACITOR				R 611	NRSA02J-223X	MG RESISTOR		
	C 813	NCS21HJ-391X	C CAPACITOR				R 613	NRSA02J-222X	MG RESISTOR		
	C 814	NCS21HJ-391X	C CAPACITOR				R 614	NRSA02J-223X	MG RESISTOR		
	C 815	QEQF1HM-225Z	E CAPACITOR	2.2MF 20% 50V			R 618	NRSA02J-153X	MG RESISTOR		

## ■ Electrical parts list (CD servo board)

Block No. 06

△	Item	Parts number	Parts name	Remarks	Area
	R 619	NRSA02J-153X	MG RESISTOR		
	R 620	NRSA02J-564X	MG RESISTOR		
	R 621	NRSA02J-564X	MG RESISTOR		
	R 622	NRSA02J-822X	MG RESISTOR		
	R 623	NRSA02J-822X	MG RESISTOR		
	R 624	NRSA02J-0R0X	MG RESISTOR		
	R 625	NRSA02J-0R0X	MG RESISTOR		
	R 631	NRSA02J-2R2X	MG RESISTOR		
	R 632	NRSA02J-100X	MG RESISTOR		
	R 634	NRSA02J-120X	MG RESISTOR		
	R 635	NRSA02J-121X	MG RESISTOR		
	R 636	NRSA02J-100X	MG RESISTOR		
	R 641	NRSA02J-154X	MG RESISTOR		
	R 642	NRSA02J-394X	MG RESISTOR		
	R 651	NRSA02J-102X	MG RESISTOR		
	R 652	NRSA02J-102X	MG RESISTOR		
	R 653	NRSA02J-102X	MG RESISTOR		
	R 654	NRSA02J-101X	MG RESISTOR		
	R 655	NRSA02J-102X	MG RESISTOR		
	R 656	NRSA02J-102X	MG RESISTOR		
	R 657	NRSA02J-102X	MG RESISTOR		
	R 658	NRSA02J-102X	MG RESISTOR		
	R 659	NRSA02J-102X	MG RESISTOR		
	R 661	NRSA02J-393X	MG RESISTOR		
	R 662	NRSA02J-683X	MG RESISTOR		
	R 663	NRSA02J-124X	MG RESISTOR		
	R 664	NRSA02J-331X	MG RESISTOR		
	R 665	NRSA02J-271X	MG RESISTOR		
	R 666	NRSA02J-221X	MG RESISTOR		
	R 667	NRSA02J-4R7X	MG RESISTOR		
	R 668	NRSA02J-155X	MG RESISTOR		
	R 669	NRSA02J-562X	MG RESISTOR		
	R 670	NRSA02J-101X	MG RESISTOR		
	R 672	NRSA02J-272X	MG RESISTOR		
	R 682	NRSA02J-102X	MG RESISTOR		
	R 683	NRSA02J-105X	MG RESISTOR		
	R 684	NRSA02J-564X	MG RESISTOR		
	R 685	NRSA02J-683X	MG RESISTOR		
	R 689	NRSA02J-103X	MG RESISTOR		
	R 690	NRSA02J-103X	MG RESISTOR		
	R 691	NRSA02J-103X	MG RESISTOR		
	R 692	NRSA02J-103X	MG RESISTOR		
	R 695	NRSA02J-243X	MG RESISTOR		
	R 696	NRSA02J-243X	MG RESISTOR		
	R 701	NRSA02J-821X	MG RESISTOR		
	R 702	NRSA02J-821X	MG RESISTOR		
	R 703	NRSA02J-103X	MG RESISTOR		
	R 704	NRSA02J-103X	MG RESISTOR		
	R 705	NRSA02J-562X	MG RESISTOR		
	R 706	NRSA02J-202X	MG RESISTOR		
	R 707	NRSA02J-682X	MG RESISTOR		
	R 708	NRSA02J-101X	MG RESISTOR		
	R 709	NRSA02J-101X	MG RESISTOR		
	R 710	NRSA02J-221X	MG RESISTOR		
	R 801	NRSA02J-272X	MG RESISTOR		
	R 802	NRSA02J-392X	MG RESISTOR		
	R 803	NRSA02J-222X	MG RESISTOR		
	R 804	NRSA02J-224X	MG RESISTOR		
	R 805	NRSA02J-133X	MG RESISTOR		
	R 806	NRSA02J-243X	MG RESISTOR		
	R 807	NRSA02J-122X	MG RESISTOR		
	R 808	NRSA02J-273X	MG RESISTOR		
	R 809	NRSA02J-122X	MG RESISTOR		

△	Item	Parts number	Parts name	Remarks	Area
	R 811	NRSA02J-103X	MG RESISTOR		
	R 812	NRSA02J-152X	MG RESISTOR		
	R 831	NRSA02J-151X	MG RESISTOR		
	R 832	NRSA02J-103X	MG RESISTOR		
	R 842	NRSA02J-472X	MG RESISTOR		
	R 851	NRSA02J-102X	MG RESISTOR		
	R 852	NRSA02J-102X	MG RESISTOR		
	R 853	NRSA02J-102X	MG RESISTOR		
	R 854	NRSA02J-102X	MG RESISTOR		
	R 856	NRSA02J-0R0X	MG RESISTOR		
	R 861	NRSA02J-102X	MG RESISTOR		
	R 862	NRSA02J-102X	MG RESISTOR		
	R 863	NRSA02J-102X	MG RESISTOR		
	R 864	NRSA02J-102X	MG RESISTOR		
	R 865	NRSA02J-102X	MG RESISTOR		
	R 866	NRSA02J-102X	MG RESISTOR		
	R 871	NRSA02J-223X	MG RESISTOR		
	R 872	NRSA02J-223X	MG RESISTOR		
	R 873	NRSA02J-223X	MG RESISTOR		
	R 874	NRSA02J-223X	MG RESISTOR		
	R 875	NRSA02J-223X	MG RESISTOR		
	R 876	NRSA02J-223X	MG RESISTOR		
	R 880	NRSA02J-102X	MG RESISTOR		
	R 881	NRSA02J-102X	MG RESISTOR		
	R 882	NRSA02J-102X	MG RESISTOR		
	R 883	NRSA02J-102X	MG RESISTOR		
	R 884	NRSA02J-102X	MG RESISTOR		
	R 885	NRSA02J-102X	MG RESISTOR		
	R 886	NRSA02J-102X	MG RESISTOR		
	R 887	NRSA02J-102X	MG RESISTOR		
	R 888	NRSA02J-223X	MG RESISTOR		
	R 889	NRSA02J-223X	MG RESISTOR		
	R 890	NRSA02J-223X	MG RESISTOR		
	R 891	NRSA02J-223X	MG RESISTOR		
	R 892	NRSA02J-223X	MG RESISTOR		
	R 893	NRSA02J-223X	MG RESISTOR		
	R 894	NRSA02J-223X	MG RESISTOR		
	R 895	NRSA02J-223X	MG RESISTOR		
	X 251	QAX0360-001Z	CRYSTAL		
	X 651	QAX0413-001Z	CRYSTAL		

## ■ Electrical parts list (CD select switch board)

Block No. 07

△	Item	Parts number	Parts name	Remarks	Area
	CN804	QGB2016J1-07	CONNECTOR		
	CN805	QGB2012J1-10	CONNECTOR		
	SW 1	QSW0859-001	DETECT SWITCH		
	SW 2	QSW0859-001	DETECT SWITCH		
	SW 3	QSW0859-001	DETECT SWITCH		
	SW 4	QSW0859-001	DETECT SWITCH		
	SW 5	QSW0859-001	DETECT SWITCH		
	SW 6	QSW0859-001	DETECT SWITCH		

■ Electrical parts list  
(Head amplifier & mechanism control board) Block No. 08

△	Item	Parts number	Parts name	Remarks	Area	△	Item	Parts number	Parts name	Remarks	Area
	CN301	QGF1205F1-06	CONNECTOR	A HEAD			D3302	1SR139-400-T2	SI DIODE		
	CN302	QGF1205F1-06	CONNECTOR	B HEAD			D3307	DZ5.1BSB-T2	Z DIODE	NEW SUPPLIER	
	CN303	QGB2011M1-10	B TO B CONNECTO				D3308	DZ5.1BSB-T2	Z DIODE		
	CN305	QGF1205F1-10	CONNECTOR	OUTPUT			D3309	DZ5.1BSB-T2	Z DIODE		
	CN306	QGF1205F1-09	CONNECTOR	CONTROL			D3331	1SR139-400-T2	SI DIODE		
	CN333	QGB2011L1-10	B TO B CONNECTO	FOR FMP-007-1			FW301	EWR34D-10CS	FLAT WIRE	TO MOTOR CONTRO	
	C3101	QCS11HJ-100	C CAPACITOR	10PF 5% 50V			IC301	BA3126N	IC	HEAD SW	
	C3102	QCBB1HK-331Y	C CAPACITOR	330PF 10% 50V			IC302	AN7345K	IC	PRE AMP	
	C3103	QDGB1HK-821Y	C CAPACITOR				IC303	BU4094BC	IC		
	C3104	QDGB1HK-102Y	C CAPACITOR				IC331	SG-105F3-BB,C	PHOTO SENSOR		
	C3105	EEKJ1AM-107ZJC	AL E.CAPACITOR				IC332	SG-105F3-BB,C	PHOTO SENSOR		
	C3107	EEKJ1HM-105ZJC	AL E.CAPACITOR				L3202	QQR0621-001Z	FERRITE BEADS		
	C3111	EEKJ1HM-104ZJC	AL E.CAPACITOR				L3301	QQR1118-001	OSC COIL(BIAS)		
	C3112	EEKJ1CM-106ZJC	AL E.CAPACITOR				L3303	QLL01BK-100Z	INDUCTOR		
	C3113	QDXB1CM-332Y	C CAPACITOR				P3302	QNZ0104-001	POST PIN		
	C3114	EEKJ1EM-475ZJC	AL E.CAPACITOR				P3331	QNZ0104-001	POST PIN		
	C3115	QFLK1HJ-153Z	M CAPACITOR	.015MF 5% 50V			Q3105	2SC3576-JVC-T	TRANSISTOR		
	C3116	QDYB1CM-822Y	C CAPACITOR				Q3205	2SC3576-JVC-T	TRANSISTOR		
	C3119	QFLM1HJ-563Z	M CAPACITOR	.056MF 5% 50V			Q3302	2SC2001/K-T	TRANSISTOR		
	C3120	QCS11HJ-330	C CAPACITOR	33PF 5% 50V			Q3305	2SC2001/K-T	TRANSISTOR		
	C3121	QDGB1HK-102Y	C CAPACITOR				Q3312	2SB562/C-T	TRANSISTOR		
	C3201	QCS11HJ-100	C CAPACITOR	10PF 5% 50V			Q3313	KTC3199/GL-T	TRANSISTOR		
	C3202	QCBB1HK-331Y	C CAPACITOR	330PF 10% 50V			Q3314	2SB562/C-T	TRANSISTOR		
	C3203	QDGB1HK-821Y	C CAPACITOR				Q3315	KTC3199/GL-T	TRANSISTOR		
	C3204	QDGB1HK-102Y	C CAPACITOR				Q3316	KTA1267/YG-T	TRANSISTOR		
	C3205	EEKJ1AM-107ZJC	AL E.CAPACITOR				Q3317	KRC107M-T	D.TRANSISTOR		
	C3206	QFLK1HJ-333Z	M CAPACITOR	.033MF 5% 50V			Q3323	KRC104M-T	D.TRANSISTOR		
	C3207	EEKJ1HM-105ZJC	AL E.CAPACITOR				Q3324	KRA102M-T	D.TRANSISTOR		
	C3211	EEKJ1HM-104ZJC	AL E.CAPACITOR				R3103	QRE141J-183Y	C RESISTOR	18K 5% 1/4W	
	C3212	EEKJ1CM-106ZJC	AL E.CAPACITOR				R3105	QRE141J-220Y	C RESISTOR	22 5% 1/4W	
	C3213	QDXB1CM-332Y	C CAPACITOR				R3106	QRE141J-392Y	C RESISTOR	3.9K 5% 1/4W	
	C3214	EEKJ1EM-475ZJC	AL E.CAPACITOR				R3107	QRE141J-222Y	C RESISTOR	2.2K 5% 1/4W	
	C3215	QFLK1HJ-153Z	M CAPACITOR	.015MF 5% 50V			R3108	QRE141J-241Y	C RESISTOR	240 5% 1/4W	
	C3216	QDYB1CM-822Y	C CAPACITOR				R3111	QRE141J-562Y	C RESISTOR	5.6K 5% 1/4W	
	C3219	QFLM1HJ-563Z	M CAPACITOR	.056MF 5% 50V			R3112	QRE141J-102Y	C RESISTOR	1.0K 5% 1/4W	
	C3220	QCS11HJ-330	C CAPACITOR	33PF 5% 50V			R3113	QRE141J-271Y	C RESISTOR	270 5% 1/4W	
	C3221	QDGB1HK-102Y	C CAPACITOR				R3114	QRE141J-391Y	C RESISTOR	390 5% 1/4W	
	C3222	QFLK1HJ-333Z	M CAPACITOR	.033MF 5% 50V			R3117	QRE141J-332Y	C RESISTOR	3.3K 5% 1/4W	
	C3301	EEKJ1AM-107ZJC	AL E.CAPACITOR				R3118	QRE141J-152Y	C RESISTOR	1.5K 5% 1/4W	
	C3302	EEKJ1AM-107ZJC	AL E.CAPACITOR				R3119	QRE141J-203Y	C RESISTOR	20K 5% 1/4W	
	C3303	EEKJ1CM-226ZJC	AL E.CAPACITOR				R3120	QRE141J-102Y	C RESISTOR	1.0K 5% 1/4W	
	C3304	EEKJ1EM-475ZJC	AL E.CAPACITOR				R3121	QRE141J-122Y	C RESISTOR	1.2K 5% 1/4W	
	C3305	QFLK1HJ-393Z	M CAPACITOR	.039MF 5% 50V			R3203	QRE141J-183Y	C RESISTOR	18K 5% 1/4W	
	C3306	EEKJ0JM-227ZJC	AL E.CAPACITOR				R3205	QRE141J-220Y	C RESISTOR	22 5% 1/4W	
	C3308	QDXB1CM-152Y	C CAPACITOR				R3206	QRE141J-392Y	C RESISTOR	3.9K 5% 1/4W	
	C3313	EEKJ1AM-107ZJC	AL E.CAPACITOR				R3207	QRE141J-222Y	C RESISTOR	2.2K 5% 1/4W	
	C3314	QCZ0205-155Z	ML C CAPACITOR	1.5MF			R3208	QRE141J-241Y	C RESISTOR	240 5% 1/4W	
	C3315	QCBB1HK-223Y	C CAPACITOR	.022MF 10% 50V			R3211	QRE141J-562Y	C RESISTOR	5.6K 5% 1/4W	
	C3316	QFG32AJ-103Z	PP CAPACITOR	.010MF 5% 100V			R3212	QRE141J-102Y	C RESISTOR	1.0K 5% 1/4W	
	C3327	EEKJ1CM-476ZJC	AL E.CAPACITOR				R3213	QRE141J-271Y	C RESISTOR	270 5% 1/4W	
	C3335	QDYB1CM-103Y	C CAPACITOR				R3214	QRE141J-391Y	C RESISTOR	390 5% 1/4W	
	C3336	QDYB1CM-103Y	C CAPACITOR				R3217	QRE141J-332Y	C RESISTOR	3.3K 5% 1/4W	
	C3339	EEKJ1CM-476ZJC	AL E.CAPACITOR				R3218	QRE141J-152Y	C RESISTOR	1.5K 5% 1/4W	
	C3340	QDYB1CM-103Y	C CAPACITOR				R3219	QRE141J-203Y	C RESISTOR	20K 5% 1/4W	
	C3341	EEKJ1AM-107ZJC	AL E.CAPACITOR				R3220	QRE141J-102Y	C RESISTOR	1.0K 5% 1/4W	
	C3342	EEKJ1EM-475ZJC	AL E.CAPACITOR				R3221	QRE141J-122Y	C RESISTOR	1.2K 5% 1/4W	
	C3345	QCBB1HK-331Y	C CAPACITOR	330PF 10% 50V			R3301	QRE141J-221Y	C RESISTOR	220 5% 1/4W	
	C3350	QDGB1HK-102Y	C CAPACITOR				R3302	QRE141J-101Y	C RESISTOR	100 5% 1/4W	
	C3501	QDGB1HK-821Y	C CAPACITOR				R3304	QRE141J-393Y	C RESISTOR	39K 5% 1/4W	
	C3502	QCBB1HK-271Y	C CAPACITOR	270PF 10% 50V			R3309	QRE141J-152Y	C RESISTOR	1.5K 5% 1/4W	
	C3555	QDGB1HK-102Y	C CAPACITOR				R3311	QRJ146J-4R7X	UNF C.RESISTOR	4.7 5% 1/4W	
	C3601	QDGB1HK-821Y	C CAPACITOR				R3314	QRE141J-101Y	C RESISTOR	100 5% 1/4W	
	C3602	QCBB1HK-271Y	C CAPACITOR	270PF 10% 50V			R3315	QRE141J-153Y	C RESISTOR	15K 5% 1/4W	

■ Electrical parts list

(Head amplifier & mechanism control board)

Block No. 08

△	Item	Parts number	Parts name	Remarks	Area
	R3327	QRE141J-474Y	C RESISTOR	470K 5% 1/4W	
	R3330	QRE141J-103Y	C RESISTOR	10K 5% 1/4W	
	R3331	QRE141J-103Y	C RESISTOR	10K 5% 1/4W	
	R3335	QRE141J-222Y	C RESISTOR	2.2K 5% 1/4W	
	R3336	QRE141J-392Y	C RESISTOR	3.9K 5% 1/4W	
	R3344	QRE141J-224Y	C RESISTOR	220K 5% 1/4W	
	R3345	QRE141J-473Y	C RESISTOR	47K 5% 1/4W	
	R3347	QRE141J-392Y	C RESISTOR	3.9K 5% 1/4W	
	R3348	QRE141J-222Y	C RESISTOR	2.2K 5% 1/4W	
	R3350	QRE141J-472Y	C RESISTOR	4.7K 5% 1/4W	
	R3351	QRE141J-151Y	C RESISTOR	150 5% 1/4W	
	R3353	QRE141J-472Y	C RESISTOR	4.7K 5% 1/4W	
	R3354	QRE141J-151Y	C RESISTOR	150 5% 1/4W	
	R3355	QRE141J-332Y	C RESISTOR	3.3K 5% 1/4W	
	R3359	QRE141J-103Y	C RESISTOR	10K 5% 1/4W	
	R3361	QRE141J-393Y	C RESISTOR	39K 5% 1/4W	
	R3362	QRE141J-243Y	C RESISTOR	24K 5% 1/4W	
	R3366	QRE141J-273Y	C RESISTOR	27K 5% 1/4W	
	R3367	QRE141J-103Y	C RESISTOR	10K 5% 1/4W	
	R3368	QRE141J-223Y	C RESISTOR	22K 5% 1/4W	
	R3369	QRE141J-101Y	C RESISTOR	100 5% 1/4W	
	R3370	QRE141J-103Y	C RESISTOR	10K 5% 1/4W	
	R3374	QRE141J-2R2Y	C RESISTOR	2.2 5% 1/4W	
△	R3376	QRZ9005-100X	F RESISTOR	10 1/0W	
	R3377	QRE141J-470Y	C RESISTOR	47 5% 1/4W	
	R3378	QRE141J-470Y	C RESISTOR	47 5% 1/4W	
	R3379	QRE141J-203Y	C RESISTOR	20K 5% 1/4W	
	R3380	QRE141J-470Y	C RESISTOR	47 5% 1/4W	
	R3381	QRE141J-470Y	C RESISTOR	47 5% 1/4W	
	R3383	QRE141J-471Y	C RESISTOR	470 5% 1/4W	
	SW302	QSW0832-001	LEAF SWITCH		
	SW303	QSW0832-001	LEAF SWITCH		
	SW304	QSW0832-001	LEAF SWITCH		
	SW305	QSW0832-001	LEAF SWITCH		
	SW306	QSW0859-001	DETECT SWITCH		
	SW316	QSW0859-001	DETECT SWITCH		
	VR101	QVP0008-503Z	SEMI.V.RESISTOR		
	VR201	QVP0008-503Z	SEMI.V.RESISTOR		
	VR301	QVP0008-103Z	SEMI.V.RESISTOR		

< MEMO >

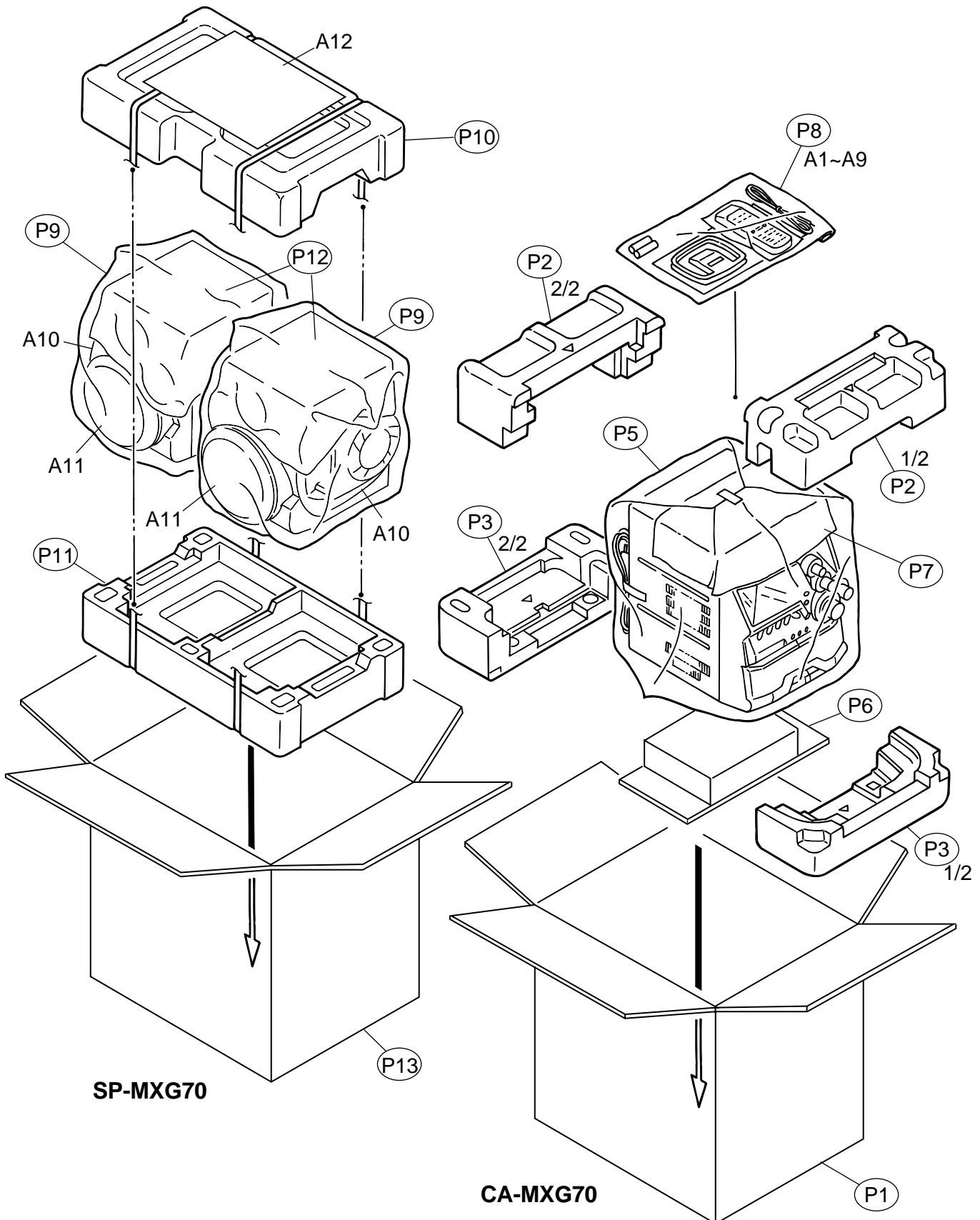
# Packing materials and accessories parts list

Block No. 

M	5	M	M
---	---	---	---

Block No. 

M	6	M	M
---	---	---	---



**Parts list (Packing)**

Block No. M5MM

△	Item	Parts number	Parts name	Q'ty	Description	Area
	P 1	GV20115-002A	PACKING CASE	1	CA-MXG70	A,UP,UY
		GV20115-001A	PACKING CASE	1	CA-MXG70	US,UW
	P 2	GV10071-002A	UPPER CUSHION	1	CA-MXG70	
	P 3	GV10072-002A	BOTTOM CUSHION	1	CA-MXG70	
	P 5	QPC06507015P	POLY BAG	1	CA-MXG70	
	P 6	GV30209-001A	SPACER	1	CA-MXG70	
	P 7	GV40168-003A	SHEET	1	CA-MXG70	
	P 8	QPC02503515P	POLY BAG	1	CA-MXG70	
	P 9	138737001089	POLY BAG	2	SP-MXG70	
	P 10	139766061059	UPPER CUSHION	1	SP-MXG70	
	P 11	139766061060	BOTTOM CUSHION	1	SP-MXG70	
	P 12	138764501088	MIRROR MAT	1	SP-MXG70	
	P 13	140773781234	PACKING CASE	1	SP-MXG70	

**Parts list (Accessories)**

Block No. M6MM

△	Item	Parts number	Parts name	Q'ty	Description	Area
	A 1	GVT0052-005A	INST.BOOK(CA-MXG70)	1	ENG	A
		GVT0052-003A	INST.BOOK(CA-MXG70)	1	ENG,CHI,ARA	US
		GVT0052-004A	INST.BOOK(CA-MXG70)	1	KOR	UP
		GVT0052-011A	INST.BOOK(CA-MXG70)	1	SPA	UY
		GVT0052-012A	INST.BOOK(CA-MXG70)	1	ENG,SPA,POR	UW
	A 2	GV40215-001B	NOTICE SHEET	1		A
		GV40215-003A	NOTICE SHEET	1		US,UW,UY
		GV40215-004A	NOTICE SHEET	1		UP
	A 3	QAL0014-001	AM LOOP ANT	1		
	A 4	EWP503-001	ANT.WIRE	1		
△	A 5	QAM0112-001	AC PLUG ADAPTER	1		US,UW
	A 6	BT-56001-2	WARRANTY CARD	1		A
	A 7	BT-56002-2	SVC CENTER LIST	1		A
	A 8	RM-SMXGT90A	REMOCON	1		A,UP,UY
		RM-SMXGT90U	REMOCON	1		US,UW
	A 9	-----	BATTERY	2		
	A 10	MXG71R-SPBOX-L	SP BOX ASSY(L)	1	SP-MXG70	
		MXG71R-SPBOX-R	SP BOX ASSY(R)	1	SP-MXG70	
	A 11	199732000127	SARAN BOARD	2	SP-MXG70	
	A 12	137642971281	INST.BOOK(SP-MXG70)	1	ENG,SPA,POR,CHI,ARA	A,US,UW,UY
		137642971282	INST.BOOK(SP-MXG70)	1	ENG,KOR	UP